

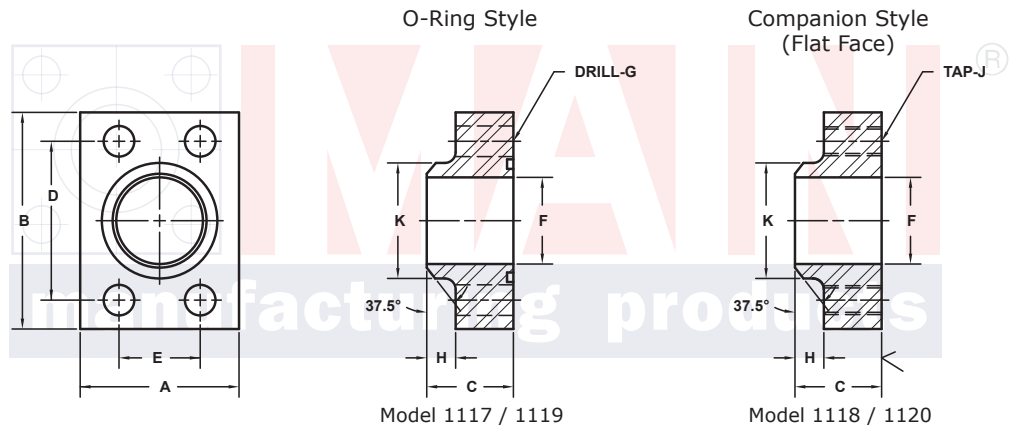
# BUTT WELD IN-LINE FLANGES (Pg 1/2)

For Schedule 160 Pipe ©

## SAE J518 61 SERIES / ISO6162-1 PATTERN

FLANGE SIZE	PIPE SIZE	PART NUMBER	A	B	C	D	E	F	Gmm		H	K	MOUNTING KIT®			WT
									Jmm				PART NO.	SCREW SIZE	O-RING	
1/2	1/2	1117-08-08M8	1.50	2.12	1.25	1.500	.688	.47	8.5		.38	.88	MKM 512	M8 x 35	210	.7
		M8x1.25								-----			-----	---		
3/4	1/2	1117-12-08M10	1.75	2.62	1.25	1.875	.875	.47	10.5		.38	.88	MKM 1525	M10 x 35	214	1.1
		M10x1.5								-----			-----	---		
3/4	3/4	1117-12-12M10	1.75	2.62	1.25	1.875	.875	.61	10.5		.38	1.12	MKM 1525	M10 x 35	214	1.0
		M10x1.5								-----			-----	---		
1	3/4	1117-16-12M10	2.00	2.82	1.25	2.062	1.031	.61	10.5		.38	1.12	MKM 1542	M10 x 35	219	1.3
		M10x1.5								-----			-----	---		
1	1	1117-16-16M10	2.00	2.82	1.25	2.062	1.031	.81	10.5		.38	1.38	MKM 1542	M10 x 35	219	1.2
		M10x1.5								-----			-----	---		
1 1/4	1	1117-20-16M10†	2.50	3.19	1.25	2.312	1.188	.81	10.5		.38	1.38	MKM 4520	M10 x 35	222	1.8
		M10x1.5								-----			-----	---		
1 1/4	1 1/4	1117-20-20M10†	2.50	3.19	1.25	2.312	1.188	1.16	10.5		.38	1.75	MKM 4520	M10 x 35	222	1.6
		M10x1.5								-----			-----	---		
1 1/4	1 1/2	-----	2.50	3.19	1.50	2.312	1.188	1.25	---		.50	2.00	-----	-----	---	2.1
		1118-20-24M10†							M10x1.5				-----	-----	---	
1 1/2	1 1/4	1117-24-20M12‡	2.75	3.75	1.50	2.750	1.406	1.16	13.0		.50	1.75	MKM 4551	M12 x 40	225	2.6
		1118-24-20M12‡							M12x1.75				-----	-----	---	
1 1/2	1 1/2	1117-24-24M12‡	2.75	3.75	1.50	2.750	1.406	1.34	13.0		.50	2.00	MKM 4551	M12 x 40	225	2.3
		1118-24-24M12‡							M12x1.75				-----	-----	---	
1 1/2	2	-----	3.50	3.75	2.25	2.750	1.406	1.50	---		.50	2.50	-----	-----	---	5.8
		1118-24-32M12‡							M12x1.75				-----	-----	---	

MATERIAL:  
Low Carbon Steel



3181 TRI-PARK DR. GRAND BLANC, MI 48439 800-521-7918 810-953-1380 FAX 810-953-1385 INFO@MAINMFG.COM

## SAE J518 62 SERIES / ISO6162-2 PATTERN

FLANGE SIZE	PIPE SIZE	PART NUMBER	A	B	C	D	E	F	Gmm		H	K	MOUNTING KIT®			WT
									Jmm				PART NO.	SCREW SIZE	O-RING	
1/2	1/2	1119-08-08M8	1.75	2.22	1.25	1.594	.718	.47	8.5		.38	.88	MKM 512	M8 x 35	210	.8
		M8x1.25								-----			-----	---		
3/4	1/2	1119-12-08M10	2.00	2.81	1.25	2.000	.937	.47	10.5		.38	.88	MKM 1525	M10 x 35	214	1.3
		M10x1.5								-----			-----	---		
3/4	3/4	1119-12-12M10	2.00	2.81	1.25	2.000	.937	.61	10.5		.38	1.12	MKM 1525	M10 x 35	214	1.3
		M10x1.5								-----			-----	---		
1	3/4	1119-16-12M12	2.25	3.19	1.25	2.250	1.093	.61	12.5		.38	1.12	MKM 4569	M12 x 40	219	1.7
		M12x1.75								-----			-----	---		
1	1	1119-16-16M12	2.25	3.19	1.25	2.250	1.093	.81	12.5		.38	1.38	MKM 4569	M12 x 40	219	1.5
		M12x1.75								-----			-----	---		
1 1/4	1	1119-20-16M12‡	2.75	3.75	1.25	2.625	1.250	.81	13.0		.38	1.38	MKM 1527	M12 x 40	222	2.4
		1120-20-16M12‡							M12x1.75				-----	-----	---	
1 1/4	1 1/4	1119-20-20M12‡	2.75	3.75	1.25	2.625	1.250	1.16	13.0		.38	1.75	MKM 1527	M12 x 40	222	2.1
		1120-20-20M12‡							M12x1.75				-----	-----	---	
1 1/4	1 1/2	-----	3.00	3.75	1.50	2.625	1.250	1.25	---		.50	2.00	-----	-----	---	3.1
		1120-20-24M12‡							M12x1.75				-----	-----	---	

① Order Separately

© Other Pipe and Tube Sizes are Available

NOTE: DIMENSIONS ARE IN INCHES UNLESS OTHERWISE NOTED. † Also Available for M12 Bolts ‡ Also Available for M14 Bolts

© Copyright MAIN Mfg. 2017

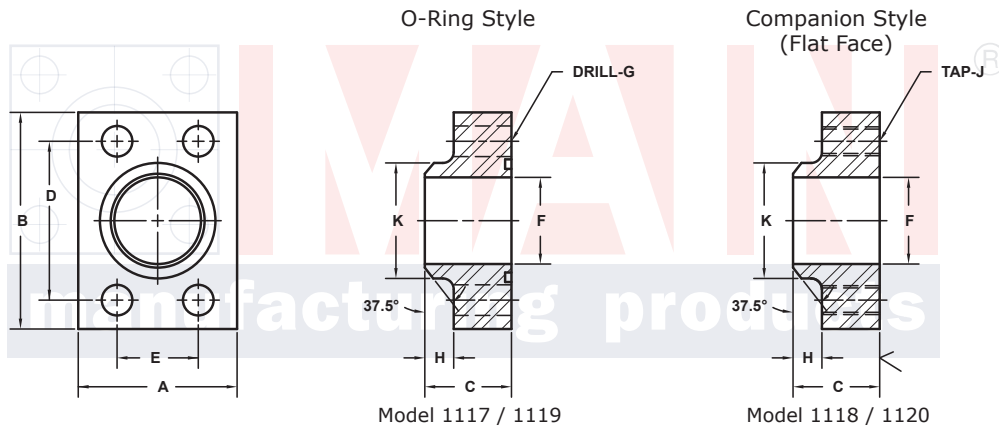
# BUTT WELD IN-LINE FLANGES (Pg 2/2)

For Schedule 160 Pipe ⑥

## SAE J518 61 SERIES / ISO6162-1 PATTERN

FLANGE SIZE	PIPE SIZE	PART NUMBER	A	B	C	D	E	F	Gmm		H	K	MOUNTING KIT①			WT
									Jmm				PART NO.	SCREW SIZE	O-RING	
2	1¼	1117-32-20M12+	3.25	4.00	1.50	3.062	1.688	1.16	13.0	.50	1.75	M12 x 45	M12 x 45	228	3.4	
		M12x1.75							-----							---
2	1½	1117-32-24M12+	3.25	4.00	1.50	3.062	1.688	1.34	13.0	.50	2.00	M12 x 45	M12 x 45	228	3.3	
		M12x1.75							-----							---
2	2	1117-32-32M12+	3.25	4.00	1.50	3.062	1.688	1.69	13.0	.50	2.50	M12 x 45	M12 x 45	228	2.8	
		M12x1.75							-----							---
2½ <sup>②</sup>	2	1117-40-32M12+	4.00	4.50	1.75	3.500	2.000	1.69	13.0	.50	2.50	M12 x 50	M12 x 50	232	5.7	
		M12x1.75							-----							---
2½ <sup>②</sup>	2½	1117-40-40M12+	4.00	4.50	1.75	3.500	2.000	2.12	13.0	.50	3.00	M12 x 50	M12 x 50	232	4.8	
		M12x1.75							-----							---
3 <sup>③</sup>	2½	1117-48-40M16	4.50	5.31	2.00	4.188	2.438	2.12	17.0	.50	3.00	M16 x 60	M16 x 60	237	8.7	
		M16x2							-----							---
3 <sup>③</sup>	3	1117-48-48M16	4.50	5.31	2.00	4.188	2.438	2.62	17.0	.50	3.50	M16 x 60	M16 x 60	237	7.2	
		M16x2							-----							---
3½ <sup>④</sup>	3	1117-56-48M16	5.00	6.00	1.50	4.750	2.750	2.62	17.0	.50	3.50	M16 x 50	M16 x 50	241	7.2	
		M16x2							-----							---
3½ <sup>④</sup>	3½	1117-56-56M16	5.00	6.00	1.50	4.750	2.750	3.00	17.0	.50	4.00	M16 x 50	M16 x 50	241	5.9	
		M16x2							-----							---
4 <sup>④</sup>	3	1117-64-48M16	5.50	6.38	1.50	5.125	3.062	2.62	17.0	.50	3.50	M16 x 50	M16 x 50	245	8.6	
		M16x2							-----							---
4 <sup>④</sup>	4	1117-64-64M16	5.50	6.38	1.50	5.125	3.062	3.44	17.0	.50	4.50	M16 x 50	M16 x 50	245	6.7	
		M16x2							-----							---

MATERIAL:  
Low Carbon Steel



Model 1117 / 1119

Model 1118 / 1120

3181 TRI-PARK DR. GRAND BLANC, MI 48439 800-521-7918 810-953-1380 FAX 810-953-1385 INFO@MAINMFG.COM

## SAE J518 62 SERIES / ISO6162-2 PATTERN

FLANGE SIZE	PIPE SIZE	PART NUMBER	A	B	C	D	E	F	Gmm		H	K	MOUNTING KIT①			WT
									Jmm				PART NO.	SCREW SIZE	O-RING	
1½	1¼	1119-24-20M16	3.25	4.50	1.50	3.125	1.437	1.16	17.0	.50	1.75	M16 x 45	M16 x 45	225	3.8	
		M16x2							-----							---
1½	1½	1119-24-24M16	3.25	4.50	1.50	3.125	1.437	1.34	17.0	.50	2.00	M16 x 45	M16 x 45	225	3.3	
		M16x2							-----							---
1½	2	-----	4.00	4.50	2.00	3.125	1.437	1.50	-----	.50	2.50	-----	-----	---	6.9	
		M16x2							-----			---				
2	1½	1119-32-24M20	4.00	5.25	1.75	3.812	1.750	1.34	21.0	.50	2.00	M20 x 60	M20 x 60	228	6.7	
		M20x2.5							-----							---
2	2	1119-32-32M20	4.00	5.25	1.75	3.812	1.750	1.69	21.0	.50	2.50	M20 x 60	M20 x 60	228	5.9	
		M20x2.5							-----							---
2½	2	1119-40-32M24	5.00	6.88	2.00	4.875	2.312	1.69	25.5	.50	2.50	M24 x 70	M24 x 70	232	13.2	
		M24x3							-----							---
2½	2½	1119-40-40M24	5.00	6.88	2.00	4.875	2.312	2.12	25.5	.50	3.00	M24 x 70	M24 x 70	232	12.0	
		M24x3							-----							---
3	3	1119-48-48M30	6.00	8.50	2.50	6.000	2.812	2.62	32.0	.50	3.50	M30 x 100	M30 x 100	237	23.3	
		M30x3.5							-----							---

① Order Separately    ② 2500 PSI Max    ③ 2000 PSI Max    ④ 500 PSI Max

⑥ Other Pipe and Tube Sizes are Available

NOTE: DIMENSIONS ARE IN INCHES UNLESS OTHERWISE NOTED. + Also Available for M12 Bolts    † Also Available for M14 Bolts

© Copyright MAIN Mfg. 2017