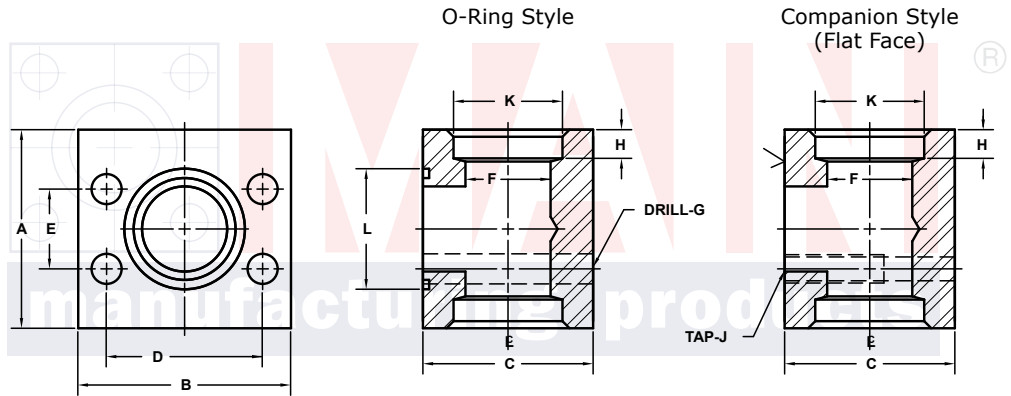
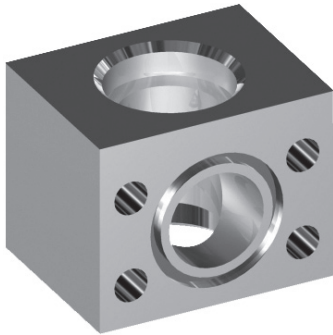


SOCKET WELD TUBE BRANCH TEE FLANGES

SAE BOLT PATTERN			61 SERIES													
FLANGE SIZE	TUBE SIZE	PART NUMBER	A	B	C	D	E	F	G		H	K	MOUNTING KIT®			WT
									J				PART NO.	BOLT SIZE	O-RING	
1/2	1/2	1169-08-08	2.00	2.12	1.44	1.500	.688	.31	.34	.38	.510		MK 541	5/16-18 x 2	210	1.5
		1170-08-08							5/16-18				-----			
1/2	3/4	1169-08-12	2.00	2.12	1.44	1.500	.688	.50	.34	.38	.760		MK 541	5/16-18 x 2	210	1.4
		1170-08-12							5/16-18				-----			
3/4	3/4	1169-12-12	2.25	2.62	1.70	1.875	.875	.62	.41	.38	.760		MK 542	3/8-16 x 2 1/2	214	2.3
		1170-12-12							3/8-16				-----			
3/4	1	1169-12-16	2.25	2.62	1.70	1.875	.875	.75	.41	.50	1.010		MK 542	3/8-16 x 2 1/2	214	2.1
		1170-12-16							3/8-16				-----			
1	1	1169-16-16	2.50	2.82	1.94	2.062	1.031	.75	.41	.50	1.010		MK 543	3/8-16 x 2 3/4	219	3.0
		1170-16-16							3/8-16				-----			
1	1 1/4	1169-16-20	2.50	2.82	1.94	2.062	1.031	1.00	.41	.50	1.260		MK 543	3/8-16 x 2 3/4	219	2.7
		1170-16-20							3/8-16				-----			
1 1/4	1 1/4	1169-20-20	3.00	3.19	2.40	2.312	1.188	1.00	.47	.50	1.260		MK 578	7/16-14 x 3 1/4	222	4.9
		1170-20-20							7/16-14				-----			
1 1/4	1 1/2	1169-20-24	3.00	3.19	2.40	2.312	1.188	1.25	.47	.50	1.510		MK 578	7/16-14 x 3 1/4	222	4.5
		1170-20-24							7/16-14				-----			
1 1/2	1 1/2	1169-24-24	3.50	3.75	2.90	2.750	1.406	1.25	.53	.50	1.510		MK 545	1/2-13 x 4	225	8.1
		1170-24-24							1/2-13				-----			
1 1/2	1 3/4	1169-24-28	3.50	3.75	2.90	2.750	1.406	1.50	.53	.50	1.760		MK 545	1/2-13 x 4	225	7.6
		1170-24-28							1/2-13				-----			
1 1/2	2	1169-24-32	3.50	3.75	2.90	2.750	1.406	1.50	.53	.50	2.010		MK 545	1/2-13 x 4	225	7.4
		1170-24-32							1/2-13				-----			

MATERIAL:
Low Carbon Steel



Model 1169 / 1171

Model 1170 / 1172

3181 TRI-PARK DR. GRAND BLANC, MI 48439 800-521-7918 810-953-1380 FAX 810-953-1385 INFO@MAINMFG.COM

SAE BOLT PATTERN			62 SERIES													
FLANGE SIZE	TUBE SIZE	PART NUMBER	A	B	C	D	E	F	G		H	K	MOUNTING KIT®			WT
									J				PART NO.	BOLT SIZE	O-RING	
1/2	3/4	1171-08-12	2.00	2.22	1.46	1.594	.718	.50	.34	.38	.760		MK 541	5/16-18 x 2	210	1.5
		1172-08-12							5/16-18				-----			
3/4	1	1171-12-16	2.50	2.81	1.70	2.000	.937	.75	.41	.50	1.010		MK 542	3/8-16 x 2 1/2	214	2.6
		1172-12-16							3/8-16				-----			
1	1	1171-16-16	2.75	3.19	2.21	2.250	1.093	.75	.47	.50	1.010		MK 2533	7/16-14 x 3	219	4.4
		1172-16-16							7/16-14				-----			
1	1 1/4	1171-16-20	2.75	3.19	2.21	2.250	1.093	1.00	.47	.50	1.260		MK 2533	7/16-14 x 3	219	4.1
		1172-16-20							7/16-14				-----			
1 1/4	1 1/4	1171-20-20	3.00	3.75	2.44	2.625	1.250	1.00	.53	.50	1.260		MK 552	1/2-13 x 3 1/4	222	6.0
		1172-20-20							1/2-13				-----			
1 1/4	1 1/2	1171-20-24	3.00	3.75	2.44	2.625	1.250	1.25	.53	.50	1.510		MK 552	1/2-13 x 3 1/4	222	5.7
		1172-20-24							1/2-13				-----			
1 1/2	1 3/4	1171-24-28	3.50	4.50	2.96	3.125	1.437	1.50	.66	.50	1.760		MK 553	5/8-11 x 4	225	9.6
		1172-24-28							5/8-11				-----			
1 1/2	2	1171-24-32	3.50	4.50	2.96	3.125	1.437	1.50	.66	.50	2.010		MK 553	5/8-11 x 4	225	9.4
		1172-24-32							5/8-11				-----			

① Order Separately