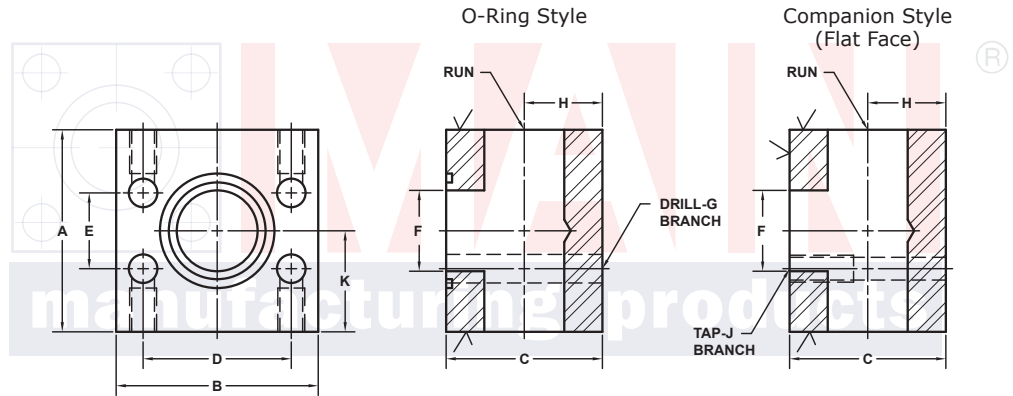
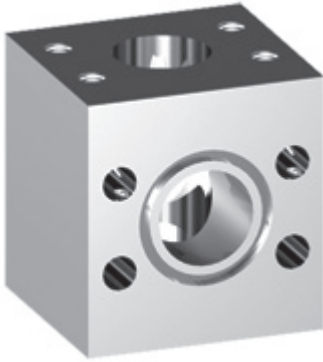


FLANGED BRANCH TEE FLANGES

SAE J518 61 SERIES / ISO6162-1 PATTERN

| BRANCH SIZE | RUN SIZE | PART NUMBER | A | B | C | D | E | F | Gmm | H | K | MOUNTING KIT® | | | WT |
|--------------------|----------|----------------|------|------|------|-------|-------|------|-------|------|------|---------------|------------|--------|------|
| | | | | | | | | | Jmm | | | PART NO. | SCREW SIZE | O-RING | |
| 1/2 | 1/2 | 1575-08M8-08M8 | 3.00 | 2.12 | 2.25 | 1.500 | .688 | .50 | 8.5 | .78 | 1.50 | MKM | M8 x 70 | 210 | 3.6 |
| | | M8x1.25 | | | | | | | ----- | | | --- | | | |
| 3/4 | 3/4 | 1185-12M-12M | 2.75 | 2.62 | 2.25 | 1.875 | .875 | .75 | 10.5 | 1.03 | 1.38 | MKM 576 | M10 x 70 | 214 | 3.6 |
| | | M10x1.5 | | | | | | | ----- | | | --- | | | |
| 1 | 1 | 1185-16M-16M | 3.00 | 2.82 | 2.50 | 2.062 | 1.031 | 1.00 | 10.5 | 1.16 | 1.50 | MKM 577 | M10 x 80 | 219 | 4.6 |
| | | M10x1.5 | | | | | | | ----- | | | --- | | | |
| 1 1/4 | 1 1/4 | 1185-20M†-20M† | 3.75 | 3.19 | 3.25 | 2.312 | 1.188 | 1.25 | 10.5 | 1.38 | 1.88 | MKM 4597 | M10 x 90 | 222 | 9.0 |
| | | M10x1.5 | | | | | | | ----- | | | --- | | | |
| 1 1/2 | 1 1/2 | 1185-24M‡-24M‡ | 4.00 | 3.75 | 3.50 | 2.750 | 1.406 | 1.50 | 13.0 | 1.62 | 2.00 | MKM 5549 | M12 x 110 | 225 | 11.2 |
| | | M12x1.75 | | | | | | | ----- | | | --- | | | |
| 2 | 2 | 1185-32M‡-32M‡ | 4.25 | 4.00 | 4.00 | 3.062 | 1.688 | 1.94 | 13.0 | 1.91 | 2.12 | MKM 3550 | M12 x 120 | 228 | 13.8 |
| | | M12x1.75 | | | | | | | ----- | | | --- | | | |
| 2 1/2 ^② | 2 1/2 | 1185-40M‡-40M‡ | 4.50 | 4.50 | 4.50 | 3.500 | 2.000 | 2.44 | 13.0 | 2.14 | 2.25 | MKM 4529 | M12 x 130 | 232 | 17.0 |
| | | M12x1.75 | | | | | | | ----- | | | --- | | | |
| 3 ^③ | 3 | 1185-48M-48M | 5.50 | 5.31 | 5.50 | 4.188 | 2.438 | 2.94 | 17.0 | 2.58 | 2.75 | MKM 594 | M16 x 160 | 237 | 29.9 |
| | | M16x2 | | | | | | | ----- | | | --- | | | |
| 3 1/2 ^④ | 3 1/2 | 1185-56M-56M | 6.00 | 6.00 | 6.00 | 4.750 | 2.750 | 3.44 | 17.0 | 3.00 | 3.00 | MKM 1589 | M16 x 180 | 241 | 38.0 |
| | | M16x2 | | | | | | | ----- | | | --- | | | |
| 4 ^④ | 4 | 1185-64M-64M | 6.00 | 6.38 | 6.00 | 5.125 | 3.062 | 3.94 | 17.0 | 2.81 | 3.00 | MKM 550 | M16 x 180 | 245 | 35.8 |
| | | M16x2 | | | | | | | ----- | | | --- | | | |
| 5 ^④ | 5 | 1185-80M-80M | | | | 6.000 | 3.625 | | 17.0 | | | MKM | M16 x | 253 | |
| | | M16x2 | | | | | | | ----- | | | --- | | | |

MATERIAL:
Low Carbon Steel^⑤



Model 1185 / 1187

Model 1186 / 1188

3181 TRI-PARK DR. GRAND BLANC, MI 48439 800-521-7918 810-953-1380 FAX 810-953-1385 INFO@MAINMFG.COM

SAE J518 62 SERIES / ISO6162-2 PATTERN

| BRANCH SIZE | RUN SIZE | PART NUMBER | A | B | C | D | E | F | Gmm | H | K | MOUNTING KIT® | | | WT |
|-------------|----------|----------------|------|------|------|-------|-------|------|-------|------|------|---------------|------------|--------|------|
| | | | | | | | | | Jmm | | | PART NO. | SCREW SIZE | O-RING | |
| 1/2 | 1/2 | 1187-08M8-08M8 | 2.50 | 2.22 | 2.00 | 1.594 | .718 | .50 | 8.5 | .94 | 1.25 | MKM 575 | M8 x 60 | 210 | 2.7 |
| | | M8x1.25 | | | | | | | ----- | | | --- | | | |
| 3/4 | 3/4 | 1187-12M-12M | 3.00 | 2.81 | 2.50 | 2.000 | .937 | .75 | 10.5 | 1.19 | 1.50 | MKM 595 | M10 x 80 | 214 | 5.1 |
| | | M10x1.5 | | | | | | | ----- | | | --- | | | |
| 1 | 1 | 1187-16M-16M | 3.50 | 3.19 | 3.00 | 2.250 | 1.093 | 1.00 | 12.5 | 1.38 | 1.75 | MKM 596 | M12 x 100 | 219 | 7.7 |
| | | M12x1.75 | | | | | | | ----- | | | --- | | | |
| 1 1/4 | 1 1/4 | 1187-20M‡-20M‡ | 4.00 | 3.75 | 3.50 | 2.625 | 1.250 | 1.25 | 13.0 | 1.62 | 2.00 | MKM 5548 | M12 x 110 | 222 | 11.9 |
| | | M12x1.75 | | | | | | | ----- | | | --- | | | |
| 1 1/2 | 1 1/2 | 1187-24M-24M | 4.50 | 4.50 | 4.00 | 3.125 | 1.437 | 1.50 | 17.0 | 1.88 | 2.25 | MKM 597 | M16 x 130 | 225 | 17.8 |
| | | M16x2 | | | | | | | ----- | | | --- | | | |
| 2 | 2 | 1187-32M-32M | 5.00 | 5.25 | 5.00 | 3.812 | 1.750 | 1.94 | 21.0 | 2.25 | 2.50 | MKM 5554 | M20 x 160 | 228 | 27.8 |
| | | M20x2.5 | | | | | | | ----- | | | --- | | | |
| 2 1/2 | 2 1/2 | 1187-40M-40M | 7.00 | 7.00 | 6.00 | 4.875 | 2.312 | 2.44 | 25.5 | 2.75 | 3.50 | MKM | M24 x | 232 | 64.3 |
| | | M24x3 | | | | | | | ----- | | | --- | | | |
| 3 | 3 | 1187-48M-48M | 9.00 | 8.50 | 7.00 | 6.000 | 2.812 | 2.94 | 32.0 | 3.25 | 4.50 | MKM | M30 x | 237 | 116 |
| | | M30x3.5 | | | | | | | ----- | | | --- | | | |

① Order Separately

② 2500 PSI Max

③ 2000 PSI Max

④ 500 PSI Max

⑤ May Contain Lead

NOTE: DIMENSIONS ARE IN INCHES UNLESS OTHERWISE NOTED. † Also Available for M12 Bolts ‡ Also Available for M14 Bolts

© Copyright MAIN Mfg. 2017