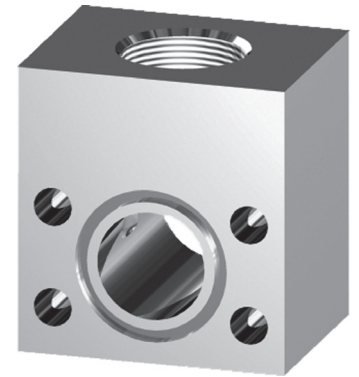
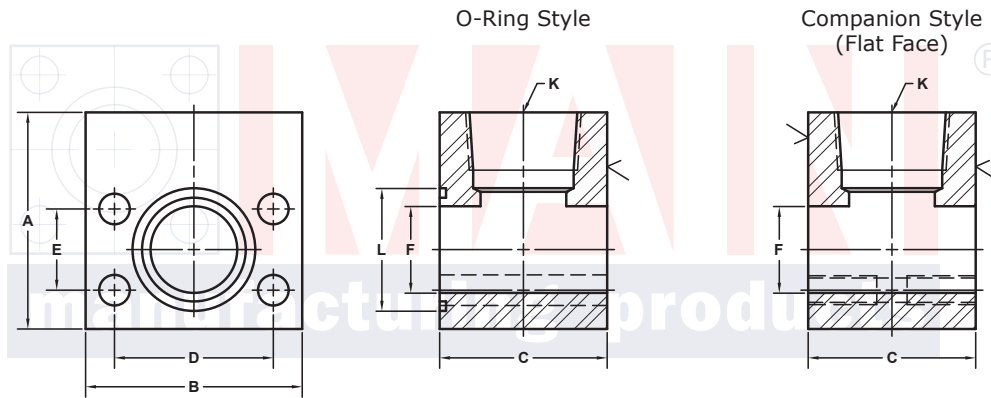


NPTF THREADED RUN TEE FLANGES

SAE J518 61 SERIES / ISO6162-1 PATTERN

FLANGE SIZE	PIPE SIZE	PART NUMBER	A	B	C	D	E	F	K	L	O-RING ^①	WT
1/2	1/2	1197-08-08M8	2.00	2.12	1.44	1.500	.688	.50	1/2	1.000	210	1.3
		1198-08-08M8								---	---	
1/2	3/4	1197-08-12M8	2.75	2.12	1.75	1.500	.688	.50	3/4	1.000	210	2.4
		1198-08-12M8								---	---	
3/4	1/2	1197-12-08M10	2.50	2.62	1.70	1.875	.875	.75	1/2	1.250	214	2.6
		1198-12-08M10								---	---	
3/4	3/4	1197-12-12M10	2.50	2.62	1.70	1.875	.875	.75	3/4	1.250	214	2.5
		1198-12-12M10								---	---	
1	3/4	1197-16-12M10	3.00	2.82	1.94	2.062	1.031	1.00	3/4	1.562	219	3.7
		1198-16-12M10								---	---	
1	1	1197-16-16M10	3.00	2.82	1.94	2.062	1.031	1.00	1	1.562	219	3.5
		1198-16-16M10								---	---	
1 1/4	1 1/4	1197-20-20M10+	3.50	3.19	2.40	2.312	1.188	1.25	1 1/4	1.750	222	5.3
		1198-20-20M10+								---	---	
1 1/2	1 1/2	1197-24-24M12+	4.00	3.75	2.90	2.750	1.406	1.50	1 1/2	2.125	225	9.5
		1198-24-24M12+								---	---	
2	2	1197-32-32M12+	4.50	4.00	2.96	3.062	1.688	1.94	2	2.500	228	10.0
		1198-32-32M12+								---	---	
2 1/2 ^②	2 1/2	1197-40-40M12+	5.00	4.50	3.96	3.500	2.000	2.44	2 1/2	3.000	232	18.0
		1198-40-40M12+								---	---	
3 ^③	3	1197-48-48M16	6.00	5.31	4.46	4.188	2.438	2.94	3	3.625	237	27.0
		1198-48-48M16								---	---	

MATERIAL:
Low Carbon Steel[®]



Model 1197 / 1199

Model 1198 / 1200

3181 TRI-PARK DR. GRAND BLANC, MI 48439 800-521-7918 810-953-1380 FAX 810-953-1385 INFO@MAINMFG.COM

SAE J518 62 SERIES / ISO6162-2 PATTERN

FLANGE SIZE	PIPE SIZE	PART NUMBER	A	B	C	D	E	F	K	L	O-RING ^①	WT
1/2	1/2	1199-08-08M8	2.00	2.22	1.46	1.594	.718	.50	1/2	1.000	210	1.5
		1200-08-08M8								---	---	
3/4	3/4	1199-12-12M10	2.50	2.81	1.70	2.000	.937	.75	3/4	1.250	214	2.7
		1200-12-12M10								---	---	
1	1	1199-16-16M12	3.00	3.19	1.96	2.250	1.093	1.00	1	1.562	219	4.2
		1200-16-16M12								---	---	
1 1/4	1 1/4	1199-20-20M12+	4.00	3.75	2.44	2.625	1.250	1.25	1 1/4	1.750	222	6.5
		1200-20-20M12+								---	---	
1 1/2	1 1/2	1199-24-24M16	4.00	4.50	2.96	3.125	1.437	1.50	1 1/2	2.125	225	11.7
		1200-24-24M16								---	---	
2	2	1199-32-32M20	5.00	5.25	3.46	3.812	1.750	1.94	2	2.500	228	20.0
		1200-32-32M20								---	---	
2 1/2	2 1/2	1199-40-40M24	6.00	6.88	4.00	4.875	2.312	2.44	2 1/2	3.000	232	34.6
		1200-40-40M24								---	---	
3	3	1199-48-48M30	7.00	8.50	5.00	6.000	2.812	2.94	3	3.625	237	62.1
		1200-48-48M30								---	---	

① Includes Buna-N O-Ring ② 2500 PSI Max ③ 2000 PSI Max

⑤ May Contain Lead

NOTE: DIMENSIONS ARE IN INCHES UNLESS OTHERWISE NOTED. + Also Available for M12 Bolts † Also Available for M14 Bolts