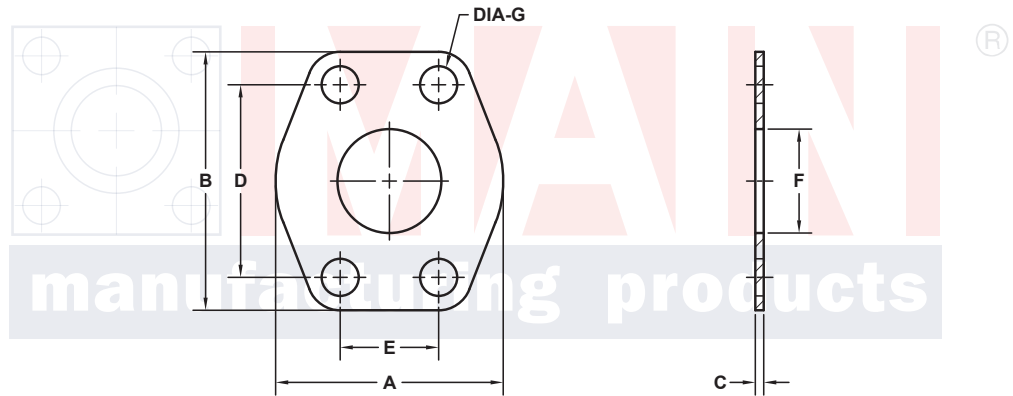
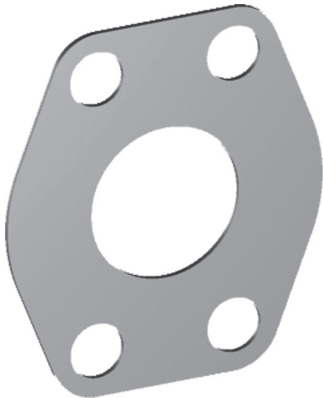


CONNECTOR PLATES

SAE BOLT PATTERN				61 SERIES						
FLANGE SIZE	PIPE SIZE	PART NUMBER	A	B	C	D	E	F	G	
1/2	NA	1211-08-08	1.81	2.12	.06	1.500	.688	.50	.34	
3/4	NA	1211-12-12	2.06	2.56	.06	1.875	.875	.75	.41	
1	NA	1211-16-16	2.31	2.75	.06	2.062	1.031	1.00	.41	
1 1/4	NA	1211-20-20	2.88	3.12	.06	2.312	1.188	1.25	.47	
1 1/2	NA	1211-24-24	3.25	3.69	.06	2.750	1.406	1.50	.53	
2	NA	1211-32-32	3.81	4.00	.06	3.062	1.688	2.00	.53	
2 1/2	NA	1211-40-40	4.12	4.44	.06	3.500	2.000	2.50	.53	
3	NA	1211-48-48	5.16	5.31	.06	4.188	2.438	3.00	.66	

MATERIAL:
Steel



3181 TRI-PARK DR. GRAND BLANC, MI 48439 800-521-7918 810-953-1380 FAX 810-953-1385 INFO@MAINMFG.COM

SAE BOLT PATTERN				62 SERIES						
FLANGE SIZE	PIPE SIZE	PART NUMBER	A	B	C	D	E	F	G	
3/4	NA	1212-12-12	2.38	2.81	.06	2.000	.937	.75	.41	
1	NA	1212-16-16	2.75	3.19	.06	2.250	1.093	1.00	.47	
1 1/4	NA	1212-20-20	3.06	3.75	.06	2.625	1.250	1.25	.53	
1 1/2	NA	1212-24-24	3.75	4.44	.06	3.125	1.437	1.50	.66	
2	NA	1212-32-32	4.50	5.25	.06	3.812	1.750	2.00	.78	