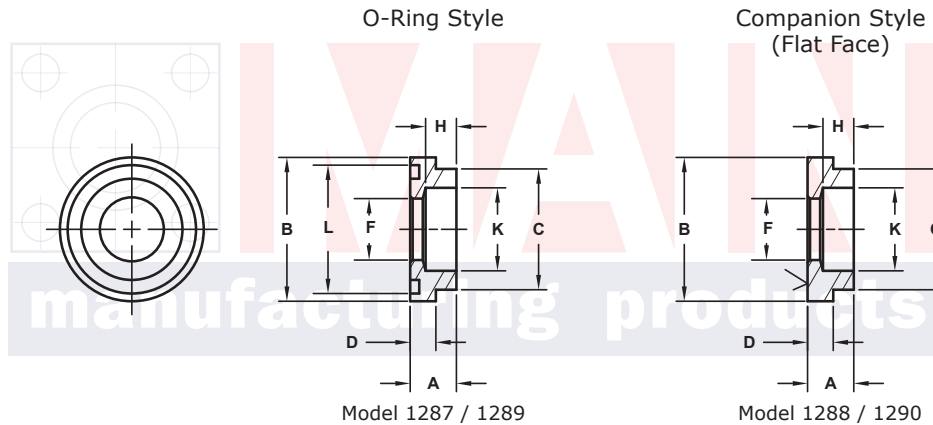


# SOCKET WELD TUBE FLANGED HEADS

## 61 SERIES

FLANGE SIZE	TUBE SIZE	PART NUMBER	A	B	C	D	F	H	K	L	O-RING NO. ①	WT
1/2	1/2	1287-08-08	.50	1.188	.91	.265	.41	.31	.510	1.000	210	.2
		1288-08-08	---	---	---	---	---	---	---	---	---	
3/4	3/4	1287-12-12	.56	1.500	1.22	.265	.63	.38	.760	1.250	214	.2
		1288-12-12	---	---	---	---	---	---	---	---	---	
1	1	1287-16-16	.56	1.750	1.47	.315	.88	.38	1.010	1.562	219	.2
		1288-16-16	---	---	---	---	---	---	---	---	---	
1 1/4	1	1287-20-16	.56	2.000	1.67	.315	.88	.38	1.010	1.750	222	.4
		1288-20-16	---	---	---	---	---	---	---	---	---	
1 1/4	1 1/4	1287-20-20	.56	2.000	1.67	.315	1.12	.38	1.260	1.750	222	.3
		1288-20-20	---	---	---	---	---	---	---	---	---	
1 1/2	1 1/2	1287-24-24	.62	2.375	1.95	.315	1.38	.44	1.510	2.125	225	.3
		1288-24-24	---	---	---	---	---	---	---	---	---	
2	2	1287-32-32	.62	2.812	2.42	.375	1.88	.44	2.010	2.500	228	.4
		1288-32-32	---	---	---	---	---	---	---	---	---	
2 1/2 ②	2	1287-40-32	.75	3.312	2.89	.375	1.88	.44	2.010	3.000	232	.8
		1288-40-32	---	---	---	---	---	---	---	---	---	
2 1/2 ②	2 1/2	1287-40-40	.75	3.312	2.89	.375	2.38	.50	2.510	3.000	232	.6
		1288-40-40	---	---	---	---	---	---	---	---	---	
3 ③	3	1287-48-48	.94	4.000	3.52	.375	2.88	.62	3.010	3.625	237	1.0
		1288-48-48	---	---	---	---	---	---	---	---	---	

MATERIAL:  
Low Carbon Steel



Model 1287 / 1289

Model 1288 / 1290

3181 TRI-PARK DR. GRAND BLANC, MI 48439 800-521-7918 810-953-1380 FAX 810-953-1385 INFO@MAINMFG.COM

## 62 SERIES

FLANGE SIZE	TUBE SIZE	PART NUMBER	A	B	C	D	F	H	K	L	O-RING NO. ①	WT
1/2	1/2	1289-08-08	.75	1.250	.91	.305	.41	.50	.510	1.000	210	.2
		1290-08-08	---	---	---	---	---	---	---	---	---	
3/4	3/4	1289-12-12	.75	1.625	1.22	.345	.63	.50	.760	1.250	214	.2
		1290-12-12	---	---	---	---	---	---	---	---	---	
1	1	1289-16-16	.94	1.875	1.47	.375	.75	.50	1.010	1.562	219	.4
		1290-16-16	---	---	---	---	---	---	---	---	---	
1 1/4	1	1289-20-16	1.00	2.125	1.69	.405	.75	.50	1.010	1.750	222	.6
		1290-20-16	---	---	---	---	---	---	---	---	---	
1 1/4	1 1/4	1289-20-20	1.00	2.125	1.69	.405	1.00	.62	1.260	1.750	222	.5
		1290-20-20	---	---	---	---	---	---	---	---	---	
1 1/2	1 1/2	1289-24-24	1.25	2.500	1.97	.495	1.25	.75	1.510	2.125	225	.8
		1290-24-24	---	---	---	---	---	---	---	---	---	
2	1 1/2	1289-32-24	1.50	3.125	2.59	.495	1.38	.75	1.510	2.500	228	1.6
		1290-32-24	---	---	---	---	---	---	---	---	---	
2	2	1289-32-32	1.50	3.125	2.59	.495	1.75	.75	2.010	2.500	228	1.4
		1290-32-32	---	---	---	---	---	---	---	---	---	

① Order Separately

② 2500 PSI Max ③ 2000 PSI Max