

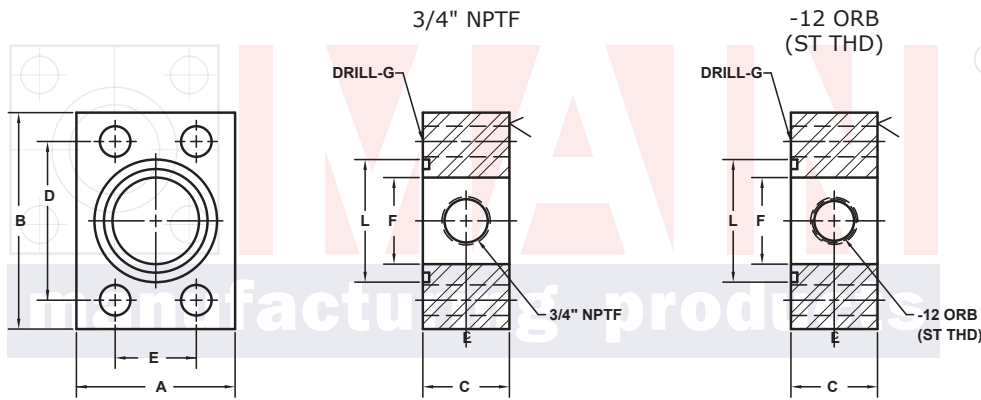
GAUGE PORT ADAPTERS

3/4" GAUGE PORTS

SAE J518 61 SERIES / ISO6162-1 PATTERN

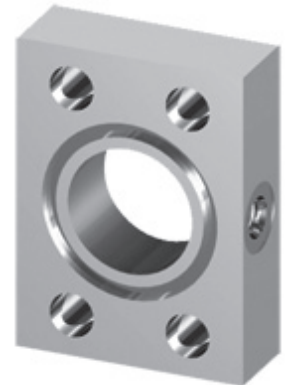
FLANGE SIZE	PIPE SIZE	PART NUMBER	A	B	C	D	E	F	Gmm	L	O-RING ^①	WT
1/2	NA	1299-08-08M8	USE PART # 1197-08-12M8								210	
		1301-08-08M8	USE PART # 1201-08-12M8									
3/4	NA	1299-12-12M10	USE PART # 1197-12-12M10								214	
		1301-12-12M10	USE PART # 1201-12-12M10									
1	NA	1299-16-16M10	USE PART # 1197-16-12M10								219	
		1301-16-16M10	USE PART # 1201-16-12M10									
1 1/4	NA	1299-20-20M10 ⁺	2.50	3.19	1.75	2.312	1.188	1.25	10.5	1.750	222	2.8
		1301-20-20M10 ⁺										
1 1/2	NA	1299-24-24M12 ⁺	2.75	3.75	1.75	2.750	1.406	1.50	13.0	2.125	225	3.6
		1301-24-24M12 ⁺										
2	NA	1299-32-32M12 ⁺	3.25	4.00	1.75	3.062	1.688	1.94	13.0	2.500	228	4.3
		1301-32-32M12 ⁺										
2 1/2 ^②	NA	1299-40-40M12 ⁺	4.00	4.50	1.75	3.500	2.000	2.44	13.0	3.000	232	6.0
		1301-40-40M12 ⁺										
3 ^③	NA	1299-48-48M16	4.50	5.31	2.00	4.188	2.438	2.94	17.0	3.625	237	8.7
		1301-48-48M16										

MATERIAL:
Low Carbon Steel[®]



Model 1299 / 1300

Model 1301 / 1302



3181 TRI-PARK DR. GRAND BLANC, MI 48439 800-521-7918 810-953-1380 FAX 810-953-1385 INFO@MAINMFG.COM

SAE J518 62 SERIES / ISO6162-2 PATTERN

FLANGE SIZE	PIPE SIZE	PART NUMBER	A	B	C	D	E	F	Gmm	L	O-RING ^①	WT
1/2	NA	1300-08-08M8	USE PART # 1199-08-12M8								210	
		1302-08-08M8	USE PART # 1203-08-12M8									
3/4	NA	1300-12-12M10	USE PART # 1199-12-12M10								214	
		1302-12-12M10	USE PART # 1203-12-12M10									
1	NA	1300-16-16M12	USE PART # 1199-16-12M12								219	
		1302-16-16M12	USE PART # 1203-16-12M12									
1 1/4	NA	1300-20-20M12 ⁺	3.00	3.75	1.75	2.625	1.250	1.25	13.0	1.750	222	4.3
		1302-20-20M12 ⁺										
1 1/2	NA	1300-24-24M16	3.25	4.50	1.75	3.125	1.437	1.50	17.0	2.125	225	5.4
		1302-24-24M16										
2	NA	1300-32-32M20	4.00	5.25	1.75	3.812	1.750	1.94	21.0	2.500	228	7.7
		1302-32-32M20										

① Includes Buna-N O-Ring ② 2500 PSI Max ③ 2000 PSI Max

⑤ May Contain Lead

NOTE: DIMENSIONS ARE IN INCHES UNLESS OTHERWISE NOTED. + Also Available for M12 Bolts † Also Available for M14 Bolts

© Copyright MAIN Mfg. 2017