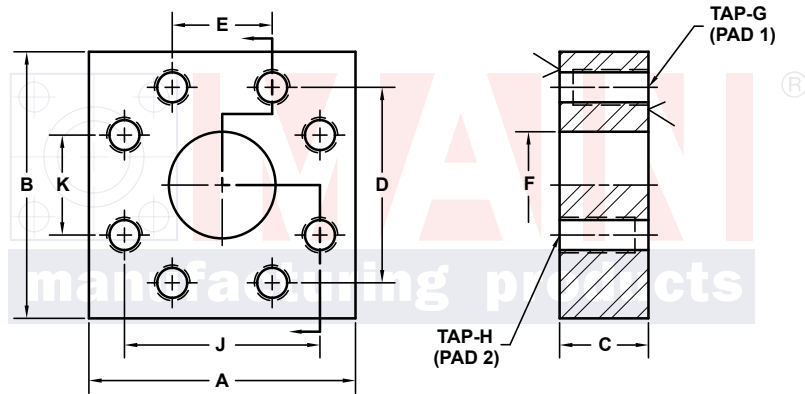
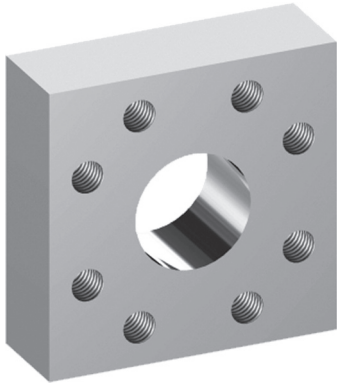


# FLANGE ADAPTERS

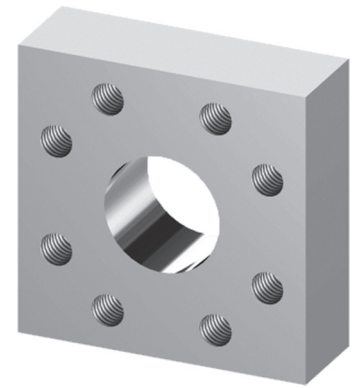
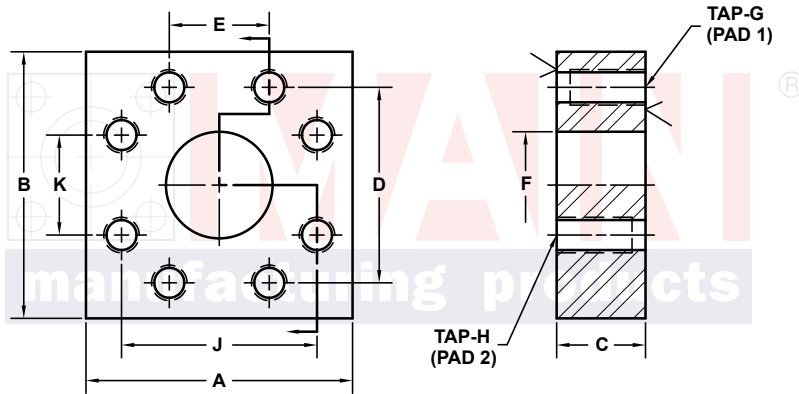


3181 TRI-PARK DR. GRAND BLANC, MI 48439 800-521-7918 810-953-1380 FAX 810-953-1385 INFO@MAINMFG.COM

SAE BOLT PATTERN				61 SERIES <sup>④</sup> TO 62 SERIES									
PAD 1 C61	PAD 2 C62	PART NUMBER	A	B	C	D	E	F	G	H	J	K	
<b>1/2</b>	<b>1/2</b>	1316-08-08	2.25	2.25	1.00	1.500	.688	.50	5/16-18	5/16-18	1.594	.718	
<b>3/4</b>	<b>3/4</b>	1316-12-12	2.81	2.75	1.00	1.875	.875	.75	3/8-16	3/8-16	2.000	.937	
<b>3/4</b>	<b>1/2</b>	1316-12-08	2.25	2.75	1.75	1.875	.875	.50	3/8-16	5/16-18	1.594	.718	
<b>1</b>	<b>1</b>	1316-16-16	3.19	3.00	1.25	2.062	1.031	1.00	3/8-16	7/16-14	2.250	1.093	
<b>1</b>	<b>3/4</b>	1316-16-12	2.81	3.00	1.75	2.062	1.031	.75	3/8-16	3/8-16	2.000	.937	
<b>1</b>	<b>1/2</b>	1316-16-08	2.25	3.00	1.75	2.062	1.031	.50	3/8-16	5/16-18	1.594	.718	
<b>1 1/4</b>	<b>1 1/4</b>	1316-20-20	3.75	3.25	1.25	2.312	1.188	1.25	7/16-14	1/2-13	2.625	1.250	
<b>1 1/4</b>	<b>1</b>	1316-20-16	3.19	3.25	1.75	2.312	1.188	1.00	7/16-14	7/16-14	2.250	1.093	
<b>1 1/4</b>	<b>3/4</b>	1316-20-12	2.81	3.25	1.75	2.312	1.188	.75	7/16-14	3/8-16	2.000	.937	
<b>1 1/4</b>	<b>1/2</b>	1316-20-08	2.50	3.25	1.50	2.312	1.188	.50	7/16-14	5/16-18	1.594	.718	
<b>1 1/2</b>	<b>1 1/2</b>	1316-24-24	4.50	3.75	1.50	2.750	1.406	1.50	1/2-13	5/8-11	3.125	1.437	
<b>1 1/2</b>	<b>1 1/4</b>	1316-24-20	3.75	3.75	1.75	2.750	1.406	1.25	1/2-13	1/2-13	2.625	1.250	
<b>1 1/2</b>	<b>1</b>	1316-24-16	3.19	3.75	1.75	2.750	1.406	1.00	1/2-13	7/16-14	2.250	1.093	
<b>1 1/2</b>	<b>3/4</b>	1316-24-12	2.75	3.75	1.75	2.750	1.406	.75	1/2-13	3/8-16	2.000	.937	
<b>1 1/2</b>	<b>1/2</b>	1316-24-08	2.75	3.75	1.50	2.750	1.406	.50	1/2-13	5/16-18	1.594	.718	

④ **CAUTION:** Flange adapter pressure rating cannot exceed 61 series pad connection.

# FLANGE ADAPTERS



3181 TRI-PARK DR. GRAND BLANC, MI 48439 800-521-7918 810-953-1380 FAX 810-953-1385 INFO@MAINMFG.COM

SAE BOLT PATTERN			61 SERIES <sup>④</sup> TO 62 SERIES										
PAD 1 C61	PAD 2 C62	PART NUMBER	A	B	C	D	E	F	G	H	J	K	
<b>2</b>	<b>2</b>	1316-32-32	5.25	4.00	1.75	3.062	1.688	1.94	1/2-13	3/4-10	3.812	1.750	
<b>2</b>	<b>1½</b>	1316-32-24	4.50	4.00	1.50	3.062	1.688	1.50	1/2-13	5/8-11	3.125	1.437	
<b>2</b>	<b>1¼</b>	1316-32-20	3.75	4.00	2.00	3.062	1.688	1.25	1/2-13	1/2-13	2.625	1.250	
<b>2</b>	<b>1</b>	1316-32-16	3.25	4.00	2.00	3.062	1.688	1.00	1/2-13	7/16-14	2.250	1.093	
<b>2</b>	<b>¾</b>	1316-32-12	3.25	4.00	1.75	3.062	1.688	.75	1/2-13	3/8-16	2.000	.937	
<b>2</b>	<b>½</b>	1316-32-08	3.25	4.00	1.50	3.062	1.688	.50	1/2-13	5/16-18	1.594	.718	
<b>2½</b> <sup>①</sup>	<b>2½</b> <sup>③</sup>	1316-40-40	6.88	5.00	2.00	3.500	2.000	2.44	1/2-13	7/8-9	4.875	2.312	
<b>2½</b> <sup>①</sup>	<b>2</b>	1316-40-32	5.25	4.50	1.75	3.500	2.000	1.94	1/2-13	3/4-10	3.812	1.750	
<b>2½</b> <sup>①</sup>	<b>1½</b>	1316-40-24	4.50	4.50	2.25	3.500	2.000	1.50	1/2-13	5/8-11	3.125	1.437	
<b>2½</b> <sup>①</sup>	<b>1¼</b>	1316-40-20	4.00	4.50	2.00	3.500	2.000	1.25	1/2-13	1/2-13	2.625	1.250	
<b>2½</b> <sup>①</sup>	<b>1</b>	1316-40-16	4.00	4.50	2.00	3.500	2.000	1.00	1/2-13	7/16-14	2.250	1.093	
<b>2½</b> <sup>①</sup>	<b>¾</b>	1316-40-12	4.00	4.50	1.75	3.500	2.000	.75	1/2-13	3/8-16	2.000	.937	
<b>2½</b> <sup>①</sup>	<b>½</b>	1316-40-08	4.00	4.50	1.75	3.500	2.000	.50	1/2-13	5/16-18	1.594	.718	
<b>3</b> <sup>②</sup>	<b>3</b> <sup>③</sup>	1316-48-48	8.50	6.00	2.50	4.188	2.438	2.94	5/8-11	1 1/8-7	6.000	2.812	
<b>3</b> <sup>②</sup>	<b>2½</b> <sup>③</sup>	1316-48-40	6.88	5.50	2.00	4.188	2.438	2.44	5/8-11	7/8-9	4.875	2.312	
<b>3</b> <sup>②</sup>	<b>2</b>	1316-48-32	5.25	5.50	2.50	4.188	2.438	1.94	5/8-11	3/4-10	3.812	1.750	
<b>3</b> <sup>②</sup>	<b>1½</b>	1316-48-24	4.50	5.50	2.25	4.188	2.438	1.50	5/8-11	5/8-11	3.125	1.437	
<b>3</b> <sup>②</sup>	<b>1¼</b>	1316-48-20	4.50	5.31	2.00	4.188	2.438	1.25	5/8-11	1/2-13	2.625	1.250	
<b>3</b> <sup>②</sup>	<b>1</b>	1316-48-16	4.50	5.31	2.00	4.188	2.438	1.00	5/8-11	7/16-14	2.250	1.093	

① 2500 PSI Max ② 2000 PSI Max ③ Not included in SAE J518 specifications

④ **CAUTION:** Flange adapter pressure rating cannot exceed 61 series pad connection.