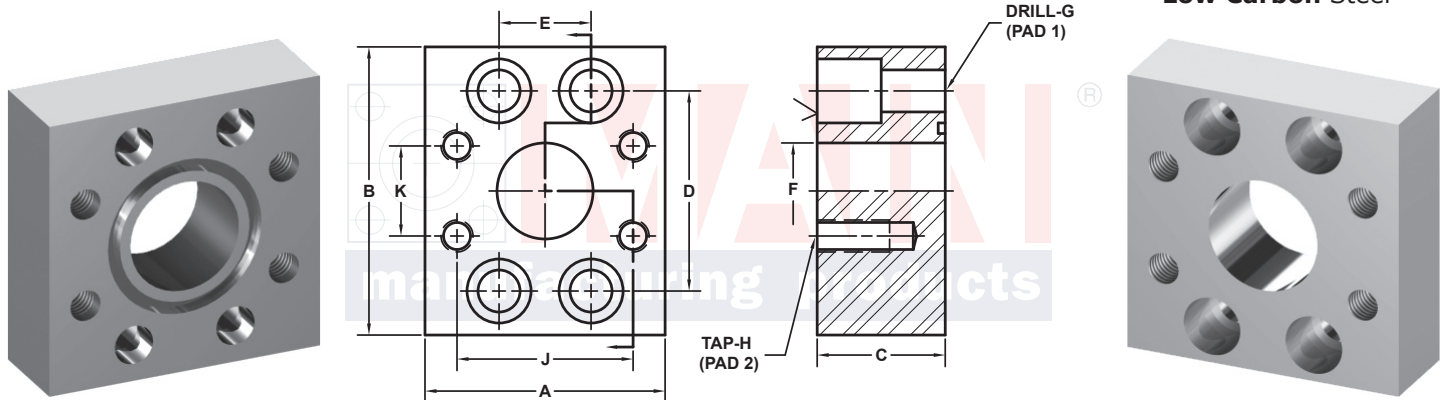


FLANGE ADAPTERS

AVAILABLE AS PAD ROTATORS, REDUCERS AND INCREASERS (Not shown)

SAE J518 / ISO6162 BOLT PATTERN													61 SERIES TO 61 SERIES			
PAD 1 C61	PAD 2 C61	PART NUMBER	A	B	C	D	E	F	Gmm	Hmm	J	K	MOUNTING KIT®			
													PART NO.	SCREW SIZE	O-RING	
1/2	1/2	1317-08M8-08M8	2.25	2.25	1.00	1.500	.688	.50	8.5	M8x1.25	1.500	.688	MKM 564	M8 x 25	210	
3/4	1/2	1317-12M-08M8	2.25	2.75	1.75	1.875	.875	.50	10.5	M8x1.25	1.500	.688	MKM 502	M10 x 40	214	
3/4	3/4	1317-12M-12M	2.75	2.75	1.00	1.875	.875	.75	10.5	M10x1.5	1.875	.875	MKM 5572	M10 x 25	214	
1	1/2	1317-16M-08M8	2.25	3.00	1.75	2.062	1.031	.50	10.5	M8x1.25	1.500	.688	MKM 503	M10 x 40	219	
1	3/4	1317-16M-12M	2.75	3.00	1.75	2.062	1.031	.75	10.5	M10x1.5	1.875	.875	MKM 503	M10 x 40	219	
1	1	1317-16M-16M	3.00	3.00	1.25	2.062	1.031	1.00	10.5	M10x1.5	2.062	1.031	MKM 2535	M10 x 30	219	
1 1/4	3/4	1317-20M+ -12M	2.75	3.25	1.75	2.312	1.188	.75	10.5	M10x1.5	1.875	.875	MKM 3524	M10 x 40	222	
1 1/4	1	1317-20M+ -16M	2.81	3.25	1.75	2.312	1.188	1.00	10.5	M10x1.5	2.062	1.031	MKM 3524	M10 x 40	222	
1 1/4	1 1/4	1317-20M+ -20M+	3.25	3.25	1.25	2.312	1.188	1.25	10.5	M10x1.5	2.312	1.188	MKM 2567	M10 x 30	222	
1 1/2	1	1317-24M+ -16M	2.75	3.75	1.75	2.750	1.406	1.00	13.0	M10x1.5	2.062	1.031	MKM 2599	M12 x 45	225	
1 1/2	1 1/4	1317-24M+ -20M+	3.25	3.75	2.00	2.750	1.406	1.25	13.0	M10x1.5	2.312	1.188	MKM 3596	M12 x 50	225	
1 1/2	1 1/2	1317-24M+ -24M+	3.75	3.75	1.25	2.750	1.406	1.50	13.0	M12x1.75	2.750	1.406	MKM 5502	M12 x 30	225	

MATERIAL:
Low Carbon Steel®



NOTE: Model 1317, shown, is O-Ring Face by Flat Face. Model 1318, see page 66, is Flat Face by Flat Face.

3181 TRI-PARK DR. GRAND BLANC, MI 48439 800-521-7918 810-953-1380 FAX 810-953-1385 INFO@MAINMFG.COM

SAE J518 / ISO6162 BOLT PATTERN													61 SERIES TO 61 SERIES			
PAD 1 C61	PAD 2 C61	PART NUMBER	A	B	C	D	E	F	Gmm	Hmm	J	K	MOUNTING KIT®			
													PART NO.	SCREW SIZE	O-RING	
2	1 1/4	1317-32M+ -20M+	3.25	4.00	2.00	3.062	1.688	1.25	13.0	M10x1.5	2.312	1.188	MKM 4513	M12 x 45	228	
2	1 1/2	1317-32M+ -24M+	3.75	4.00	2.00	3.062	1.688	1.50	13.0	M12x1.75	2.750	1.406	MKM 4513	M12 x 45	228	
2	2	1317-32M+ -32M+	4.00	4.00	1.25	3.062	1.688	1.94	13.0	M12x1.75	3.062	1.688	MKM 1509	M12 x 30	228	
2 1/2 ^②	1 1/2	1317-40M+ -24M+	4.00	4.50	2.00	3.500	2.000	1.50	13.0	M12x1.75	2.750	1.406	MKM 2575	M12 x 50	232	
2 1/2 ^②	2	1317-40M+ -32M+	4.00	4.50	2.00	3.500	2.000	1.94	13.0	M12x1.75	3.062	1.688	MKM 2575	M12 x 50	232	
2 1/2 ^②	2 1/2	1317-40M+ -40M+	4.50	4.50	1.50	3.500	2.000	2.44	13.0	M12x1.75	3.500	2.000	MKM 3538	M12 x 40	232	
3 ^③	2	1317-48M-32M+	4.50	5.31	2.00	4.188	2.438	1.94	17.0	M12x1.75	3.062	1.688	MKM 1511	M16 x 50	237	
3 ^③	2 1/2	1317-48M-40M+	4.50	5.50	2.25	4.188	2.438	2.44	17.0	M12x1.75	3.500	2.000	MKM 585	M16 x 60	237	
3 ^③	3	1317-48M-48M	5.50	5.50	1.75	4.188	2.438	2.94	17.0	M16x2	4.188	2.438	MKM 2538	M16 x 45	237	

① Order Separately

② 2500 PSI Max ③ 2000 PSI Max

⑤ May Contain Lead

NOTE: DIMENSIONS ARE IN INCHES UNLESS OTHERWISE NOTED. + Also Available for M12 Bolts + Also Available for M14 Bolts

© Copyright MAIN Mfg. 2017