

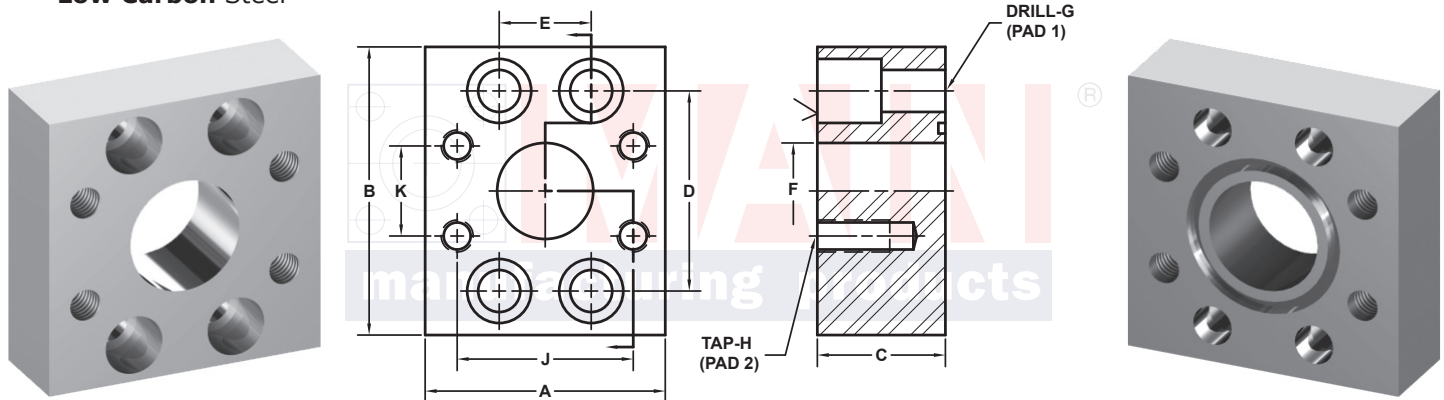
# FLANGE ADAPTERS

AVAILABLE AS PAD ROTATORS, REDUCERS AND INCREASERS (Not shown)

| SAE J518 / ISO6162 BOLT PATTERN |              |                |      |      |      |       |       |      |      | 62 SERIES TO 61 SERIES <sup>®</sup> |       |       |                           |            |        |
|---------------------------------|--------------|----------------|------|------|------|-------|-------|------|------|-------------------------------------|-------|-------|---------------------------|------------|--------|
| PAD 1<br>C61                    | PAD 2<br>C62 | PART<br>NUMBER | A    | B    | C    | D     | E     | F    | Gmm  | Hmm                                 | J     | K     | MOUNTING KIT <sup>®</sup> |            |        |
|                                 |              |                |      |      |      |       |       |      |      |                                     |       |       | PART NO.                  | SCREW SIZE | O-RING |
| 1/2                             | 1/2          | 1339-08M8-08M8 | 2.25 | 2.25 | 1.00 | 1.594 | .718  | .50  | 8.5  | M8x1.25                             | 1.500 | .688  | MKM 564                   | M8 x 25    | 210    |
| 3/4                             | 1/2          | 1339-12M-08M8  | 2.25 | 2.81 | 1.75 | 2.000 | .937  | .50  | 10.5 | M8x1.25                             | 1.500 | .688  | MKM 502                   | M10 x 40   | 214    |
| 3/4                             | 3/4          | 1339-12M-12M   | 2.75 | 2.81 | 1.00 | 2.000 | .937  | .75  | 10.5 | M10x1.5                             | 1.875 | .875  | MKM 5572                  | M10 x 25   | 214    |
| 1                               | 1/2          | 1339-16M-08M8  | 2.25 | 3.19 | 1.75 | 2.250 | 1.093 | .50  | 12.5 | M8x1.25                             | 1.500 | .688  | MKM 513                   | M12 x 45   | 219    |
| 1                               | 3/4          | 1339-16M-12M   | 2.75 | 3.19 | 1.75 | 2.250 | 1.093 | .75  | 12.5 | M10x1.5                             | 1.875 | .875  | MKM 513                   | M12 x 45   | 219    |
| 1                               | 1            | 1339-16M-16M   | 3.00 | 3.19 | 1.25 | 2.250 | 1.093 | 1.00 | 12.5 | M10x1.5                             | 2.062 | 1.031 | MKM 569                   | M12 x 30   | 219    |
| 1 1/4                           | 3/4          | 1339-20M†-12M  | 2.75 | 3.75 | 1.75 | 2.625 | 1.250 | .75  | 13.0 | M10x1.5                             | 1.875 | .875  | MKM 1527                  | M12 x 40   | 222    |
| 1 1/4                           | 1            | 1339-20M†-16M  | 2.75 | 3.75 | 1.75 | 2.625 | 1.250 | 1.00 | 13.0 | M10x1.5                             | 2.062 | 1.031 | MKM 1527                  | M12 x 40   | 222    |
| 1 1/4                           | 1 1/4        | 1339-20M†-20M† | 3.25 | 3.75 | 1.25 | 2.625 | 1.250 | 1.25 | 13.0 | M10x1.5                             | 2.312 | 1.188 | MKM 5557                  | M12 x 30   | 222    |
| 1 1/2                           | 1            | 1339-24M-16M   | 3.25 | 4.50 | 1.75 | 3.125 | 1.437 | 1.00 | 17.0 | M10x1.5                             | 2.062 | 1.031 | MKM 562                   | M16 x 45   | 225    |
| 1 1/2                           | 1 1/4        | 1339-24M-20M†  | 3.25 | 4.50 | 2.00 | 3.125 | 1.437 | 1.25 | 17.0 | M10x1.5                             | 2.312 | 1.188 | MKM 562                   | M16 x 45   | 225    |
| 1 1/2                           | 1 1/2        | 1339-24M-24M†  | 3.75 | 4.50 | 1.50 | 3.125 | 1.437 | 1.50 | 17.0 | M12x1.75                            | 2.750 | 1.406 | MKM 1531                  | M16 x 35   | 225    |

MATERIAL:

Low Carbon Steel<sup>®</sup>



NOTE: Model 1339, shown, is O-Ring Face by Flat Face. Model 1340, see page 64, is Flat Face by Flat Face.

3181 TRI-PARK DR. GRAND BLANC, MI 48439 800-521-7918 810-953-1380 FAX 810-953-1385 INFO@MAINMFG.COM

| SAE J518 / ISO6162 BOLT PATTERN |                    |                |      |      |      |       |       |      |      | 62 SERIES TO 61 SERIES <sup>®</sup> |       |       |                           |            |        |
|---------------------------------|--------------------|----------------|------|------|------|-------|-------|------|------|-------------------------------------|-------|-------|---------------------------|------------|--------|
| PAD 1<br>C61                    | PAD 2<br>C62       | PART<br>NUMBER | A    | B    | C    | D     | E     | F    | Gmm  | Hmm                                 | J     | K     | MOUNTING KIT <sup>®</sup> |            |        |
|                                 |                    |                |      |      |      |       |       |      |      |                                     |       |       | PART NO.                  | SCREW SIZE | O-RING |
| 2                               | 1 1/4              | 1339-32M-20M†  | 4.00 | 5.25 | 2.00 | 3.812 | 1.750 | 1.25 | 21.0 | M10x1.5                             | 2.312 | 1.188 | MKM                       | M20 x 50   | 228    |
| 2                               | 1 1/2              | 1339-32M-24M†  | 4.00 | 5.25 | 2.00 | 3.812 | 1.750 | 1.50 | 21.0 | M12x1.75                            | 2.750 | 1.406 | MKM                       | M20 x 50   | 228    |
| 2                               | 2                  | 1339-32M-32M†  | 4.00 | 5.25 | 1.75 | 3.812 | 1.750 | 1.94 | 21.0 | M12x1.75                            | 3.062 | 1.688 | MKM 563                   | M20 x 45   | 228    |
| 2 1/2                           | 1 1/2              | 1339-40M-24M†  | 5.00 | 6.88 | 2.00 | 4.875 | 2.312 | 1.50 | 25.5 | M12x1.75                            | 2.750 | 1.406 | MKM                       | M24 x 50   | 232    |
| 2 1/2                           | 2                  | 1339-40M-32M†  | 5.00 | 6.88 | 2.00 | 4.875 | 2.312 | 1.94 | 25.5 | M12x1.75                            | 3.062 | 1.688 | MKM                       | M24 x 50   | 232    |
| 2 1/2                           | 2 1/2 <sup>②</sup> | 1339-40M-40M†  | 5.00 | 6.88 | 2.00 | 4.875 | 2.312 | 2.44 | 25.5 | M12x1.75                            | 3.500 | 2.000 | MKM                       | M24 x 50   | 232    |
| 3                               | 2                  | 1339-48M-32M†  | 6.00 | 8.50 | 2.50 | 6.000 | 2.812 | 1.94 | 32.0 | M12x1.75                            | 3.062 | 1.688 | MKM 518                   | M30 x 110  | 237    |
| 3                               | 2 1/2 <sup>②</sup> | 1339-48M-40M†  | 6.00 | 8.50 | 2.50 | 6.000 | 2.812 | 2.44 | 32.0 | M12x1.75                            | 3.500 | 2.000 | MKM 518                   | M30 x 110  | 237    |
| 3                               | 3 <sup>③</sup>     | 1339-48M-48M   | 6.00 | 8.50 | 2.50 | 6.000 | 2.812 | 2.94 | 32.0 | M16x2                               | 4.188 | 2.438 | MKM 1514                  | M30 x 70   | 237    |

① Order Separately

② 2500 PSI Max

③ 2000 PSI Max

⑤ May Contain Lead

⑥ CAUTION: Flange Adapter Pressure Rating CANNOT Exceed 61 Series Pad Connection.

NOTE: DIMENSIONS ARE IN INCHES UNLESS OTHERWISE NOTED. † Also Available for M12 Bolts ‡ Also Available for M14 Bolts

© Copyright MAIN Mfg. 2017