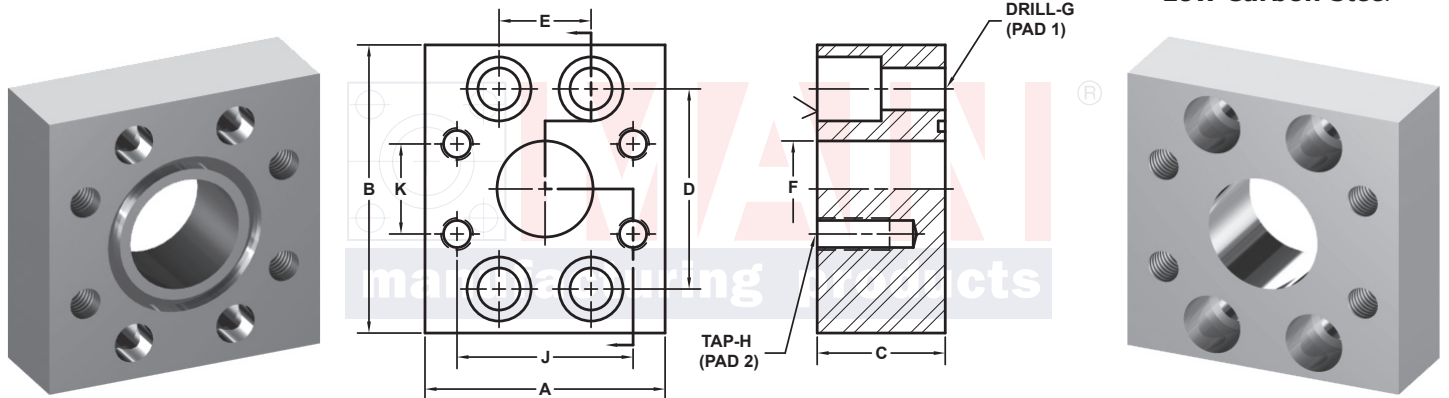


FLANGE ADAPTERS

AVAILABLE AS PAD ROTATORS, REDUCERS AND INCREASERS (Not shown)

SAE J518 / ISO6162 BOLT PATTERN													62 SERIES TO 62 SERIES		
PAD 1 C62	PAD 2 C62	PART NUMBER	A	B	C	D	E	F	Gmm	Hmm	J	K	MOUNTING KIT®		
													PART NO.	SCREW SIZE	O-RING
1/2	1/2	1341-08M8-08M8	2.25	2.25	1.00	1.594	.718	.50	8.5	M8x1.25	1.594	.718	MKM 564	M8 x 25	210
3/4	1/2	1341-12M-08M8	2.25	2.81	1.50	2.000	.937	.50	10.5	M8x1.25	1.594	.718	MKM 502	M10 x 40	214
3/4	3/4	1341-12M-12M	3.00	3.00	1.00	2.000	.937	.75	10.5	M10x1.5	2.000	.937	MKM 5572	M10 x 25	214
1	1/2	1341-16M-08M8	2.25	3.19	1.50	2.250	1.093	.50	12.5	M8x1.25	1.594	.718	MKM 513	M12 x 45	219
1	3/4	1341-16M-12M	3.00	3.19	1.75	2.250	1.093	.75	12.5	M10x1.5	2.000	.937	MKM 513	M12 x 45	219
1	1	1341-16M-16M	3.25	3.25	1.25	2.250	1.093	1.00	12.5	M12x1.75	2.250	1.093	MKM 569	M12 x 30	219
1 1/4	3/4	1341-20M+-12M	2.81	3.75	1.75	2.625	1.250	.75	13.0	M10x1.5	2.000	.937	MKM 1527	M12 x 40	222
1 1/4	1	1341-20M+-16M	3.25	3.75	1.75	2.625	1.250	1.00	13.0	M12x1.75	2.250	1.093	MKM 1527	M12 x 40	222
1 1/4	1 1/4	1341-20M+-20M+	3.75	3.75	1.25	2.625	1.250	1.25	13.0	M12x1.75	2.625	1.250	MKM 5557	M12 x 30	222
1 1/2	1	1341-24M-16M	3.25	4.50	2.00	3.125	1.437	1.00	17.0	M12x1.75	2.250	1.093	MKM 562	M16 x 45	225
1 1/2	1 1/4	1341-24M-20M+	3.75	4.50	2.00	3.125	1.437	1.25	17.0	M12x1.75	2.625	1.250	MKM 562	M16 x 45	225
1 1/2	1 1/2	1341-24M-24M	4.50	4.50	1.75	3.125	1.437	1.50	17.0	M16x2	3.125	1.437	MKM 1531	M16 x 35	225

MATERIAL:
Low Carbon Steel®



NOTE: Model 1341, shown, is O-Ring Face by Flat Face. Model 1342, see page 66, is Flat Face by Flat Face.

3181 TRI-PARK DR. GRAND BLANC, MI 48439 800-521-7918 810-953-1380 FAX 810-953-1385 INFO@MAINMFG.COM

SAE J518 / ISO6162 BOLT PATTERN													62 SERIES TO 62 SERIES		
PAD 1 C62	PAD 2 C62	PART NUMBER	A	B	C	D	E	F	Gmm	Hmm	J	K	MOUNTING KIT®		
													PART NO.	SCREW SIZE	O-RING
2	1 1/4	1341-32M-20M+	4.00	5.25	2.00	3.812	1.750	1.25	21.0	M12x1.75	2.625	1.250	MKM	M20 x 50	228
2	1 1/2	1341-32M-24M	4.50	5.25	2.25	3.812	1.750	1.50	21.0	M16x2	3.125	1.437	MKM	M20 x 50	228
2	2	1341-32M-32M	5.25	5.25	1.75	3.812	1.750	1.94	21.0	M20x2.5	3.812	1.750	MKM 563	M20 x 45	228
2 1/2	1 1/2	1341-40M-24M	5.00	7.00	2.50	4.875	2.312	1.50	25.5	M16x2	3.125	1.437	MKM	M24 x 50	232
2 1/2	2	1341-40M-32M	5.25	7.00	2.50	4.875	2.312	1.94	25.5	M20x2.5	3.812	1.750	MKM	M24 x 50	232
2 1/2	2 1/2	1341-40M-40M	6.88	7.00	2.00	4.875	2.312	2.44	25.5	M24x3	4.875	2.312	MKM	M24 x 50	232
3	2	1341-48M-32M	6.00	8.50	2.50	6.000	2.812	1.94	32.0	M20x2.5	3.812	1.750	MKM 1514	M30 x 70	237
3	2 1/2	1341-48M-40M	7.00	8.50	2.50	6.000	2.812	2.44	32.0	M24x3	4.875	2.312	MKM 1514	M30 x 70	237
3	3	1341-48M-48M	8.50	8.50	2.50	6.000	2.812	2.94	32.0	M30x3.5	6.000	2.812	MKM 1514	M30 x 70	237

① Order Separately

® May Contain Lead

NOTE: DIMENSIONS ARE IN INCHES UNLESS OTHERWISE NOTED.

‡ Also Available for M14 Bolts

© Copyright MAIN Mfg. 2017