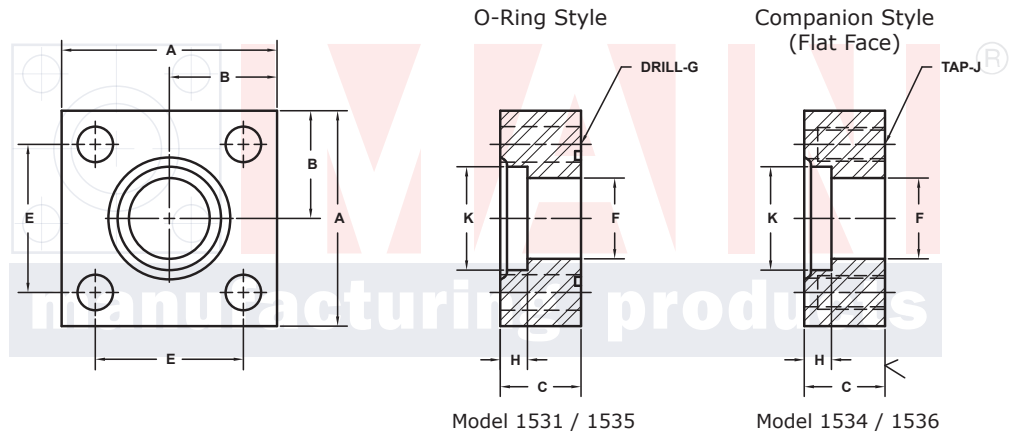
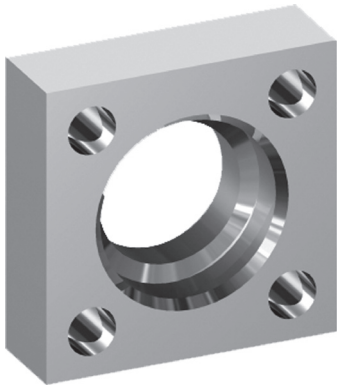


# SOCKET WELD PIPE IN-LINE FLANGES

For American O-Ring and American Pipe ©

JIS B 2291 BOLT PATTERN (210K)										TYPE SHA & SHB (TAPPED)					
FLANGE SIZE	PIPE SIZE	PART NUMBER	A	B	C	Emm	E	F	Gmm Jmm	H	K	MOUNTING KIT®			WT
												PART NO.	SCREW SIZE	O-RING	
<b>15</b>	<b>1/2</b>	1531-08-08M	2.50	1.25	.87	40.0	1.574	.63	11.0	.50	.860	MKM	M10 x 40	213	1.3
		M10x1.5							-----			---			
<b>20</b>	<b>3/4</b>	1531-12-12M	2.75	1.38	.87	45.0	1.772	.81	11.0	.50	1.070	MKM	M10 x 40	216	1.5
		M10x1.5							-----			---			
<b>25</b>	<b>1</b>	1531-16-16M	3.25	1.62	1.10	53.0	2.086	.98	13.0	.50	1.335	MKM 1504	M12 x 50	219	2.5
		M12x1.75							-----			---			
<b>32</b>	<b>1 1/4</b>	1531-20-20M	3.50	1.75	1.10	63.0	2.480	1.24	13.0	.50	1.680	MKM 1502	M12 x 50	222	2.9
		M12x1.75							-----			---			
<b>40</b>	<b>1 1/2</b>	1531-24-24M	4.00	2.00	1.38	70.0	2.756	1.48	18.0	.62	1.920	MK 515	M16 x 60	225	4.7
		M16x2							-----			---			
<b>50</b>	<b>2</b>	1531-32-32M	4.50	2.25	1.38	80.0	3.150	1.87	18.0	.62	2.411	MKM	M16 x 60	228	5.7
		M16x2							-----			---			
<b>65</b>	<b>2 1/2</b>	1531-40-40M	5.50	2.75	1.75	100.0	3.937	2.36	22.0	.75	2.911	MKM 5594	M20 x 75	233	10.4
		M20x2.5							-----			---			
<b>80</b>	<b>3</b>	1531-48-48M	6.25	3.12	1.75	112.0	4.409	2.80	24.0	.75	3.540	MKM	M22 x 80	236	13.0
		M22x2.5							-----			---			

MATERIAL:  
Low Carbon Steel



3181 TRI-PARK DR. GRAND BLANC, MI 48439 800-521-7918 810-953-1380 FAX 810-953-1385 INFO@MAINMFG.COM

JIS B 2291 BOLT PATTERN (210K)										TYPE SSA & SSB					
FLANGE SIZE	PIPE SIZE	PART NUMBER	A	B	C	Emm	E	F	Gmm Jmm	H	K	MOUNTING KIT®			WT
												PART NO.	SCREW SIZE	O-RING	
<b>15</b>	<b>1/2</b>	1535-08-08M	2.25	1.12	.87	36.0	1.417	.63	11.0	.50	.860	MKM	M10 x 40	213	1.0
		M10x1.5							-----			---			
<b>20</b>	<b>3/4</b>	1535-12-12M	2.25	1.12	.87	40.0	1.574	.81	11.0	.50	1.070	MKM	M10 x 40	216	.9
		M10x1.5							-----			---			
<b>25</b>	<b>1</b>	1535-16-16M	2.75	1.38	1.10	48.0	1.890	.98	13.0	.50	1.335	MKM 1504	M12 x 50	219	1.7
		M12x1.75							-----			---			
<b>32</b>	<b>1 1/4</b>	1535-20-20M	3.00	1.50	1.10	56.0	2.205	1.24	13.0	.50	1.680	MKM 1502	M12 x 50	222	1.4
		M12x1.75							-----			---			
<b>40</b>	<b>1 1/2</b>	1535-24-24M	3.75	1.88	1.38	65.0	2.559	1.48	18.0	.62	1.920	MKM 515	M16 x 60	225	3.9
		M16x2							-----			---			
<b>50</b>	<b>2</b>	1535-32-32M	4.00	2.00	1.38	73.0	2.874	1.87	18.0	.62	2.411	MKM	M16 x 60	228	4.3
		M16x2							-----			---			
<b>65</b>	<b>2 1/2</b>	1535-40-40M	5.00	2.50	1.75	92.0	3.622	2.36	22.0	.75	2.911	MKM 5594	M20 x 75	233	8.6
		M20x2.5							-----			---			
<b>80</b>	<b>3</b>	1535-48-48M	5.50	2.75	1.75	103.0	4.055	2.80	24.0	.75	3.540	MKM	M22 x 80	236	9.5
		M22x2.5							-----			---			

① Order Separately

© Also Available for JIS O-Ring and JIS Pipe or JIS O-Ring and American Pipe

NOTE: Dimensions are in Inches Unless Otherwise Noted.

© Copyright MAIN Mfg. 2017