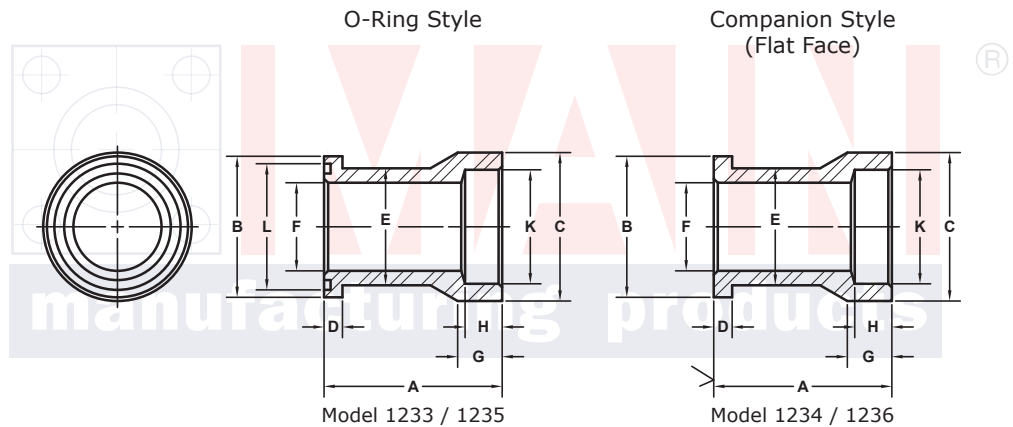
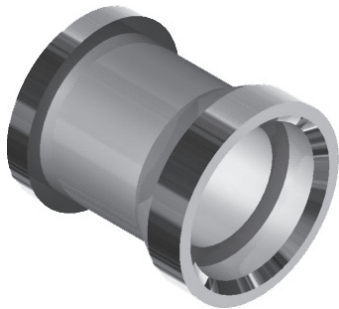


SOCKET WELD PIPE FLANGED HEADS

61 SERIES

FLANGE SIZE	PIPE SIZE	PART NUMBER	A	B	C	D	E	F	G	H	K	L	O-RING NO. ①	WT
1/2	1/2	1233-08-08	2.12	1.188	1.31	.265	.92	.50	.50	.50	.860	1.000	210	
		1234-08-08										---	---	
3/4	3/4	1233-12-12	2.25	1.500	1.62	.265	1.23	.75	.50	.50	1.070	1.250	214	
		1234-12-12										---	---	
1	1	1233-16-16	2.25	1.750	1.88	.315	1.48	1.00	.50	.50	1.335	1.562	219	
		1234-16-16										---	---	
1 1/4	1 1/4	1233-20-20	2.62	2.000	2.12	.315	1.69	1.25	.50	.50	1.680	1.750	222	
		1234-20-20										---	---	
1 1/2	1 1/2	1233-24-24	2.75	2.375	2.50	.315	1.97	1.50	.50	.50	1.920	2.125	225	
		1234-24-24										---	---	
1 1/2	2	1233-24-32	4.00	2.375	3.00	.315	1.97	1.50	1.00	.62	2.411	2.125	225	
		1234-24-32										---	---	
2	2	1233-32-32	3.00	2.812	3.00	.375	2.44	1.94	.75	.62	2.411	2.500	228	
		1234-32-32										---	---	
2 1/2 ^②	2 1/2	1233-40-40	3.25	3.312	3.62	.375	2.89	2.32	.75	.62	2.911	3.000	232	
		1234-40-40										---	---	
3 ^③	3	1233-48-48	3.75	4.000	4.50	.375	3.53	2.90	.88	.75	3.540	3.625	237	
		1234-48-48										---	---	
4 ^④	4	1233-64-64	4.25	5.000	5.50	.442	4.48	3.88	.88	.75	4.550	4.609	245	
		1234-64-64										---	---	

MATERIAL:
Low Carbon Steel



3181 TRI-PARK DR. GRAND BLANC, MI 48439 800-521-7918 810-953-1380 FAX 810-953-1385 INFO@MAINMFG.COM

62 SERIES

FLANGE SIZE	PIPE SIZE	PART NUMBER	A	B	C	D	E	F	G	H	K	L	O-RING NO. ①	WT
1/2	1/2	1235-08-08	2.38	1.250	1.31	.305	.92	.50	.62	.50	.860	1.000	210	
		1236-08-08										---	---	
3/4	3/4	1235-12-12	2.75	1.625	1.62	.345	1.23	.69	.62	.50	1.070	1.250	214	
		1236-12-12										---	---	
1	1	1235-16-16	3.00	1.875	2.00	.375	1.48	.88	.62	.50	1.335	1.562	219	
		1236-16-16										---	---	
1 1/4	1 1/4	1235-20-20	3.38	2.125	2.38	.405	1.69	1.19	.62	.50	1.680	1.750	222	
		1236-20-20										---	---	
1 1/4	1 1/2	1235-20-24	3.75	2.125	2.75	.405	1.69	1.19	.62	.50	1.920	1.750	222	
		1236-20-24										---	---	
1 1/2	1 1/2	1235-24-24	3.75	2.500	2.75	.495	1.97	1.38	.62	.50	1.920	2.125	225	
		1236-24-24										---	---	
1 1/2	2	1235-24-32	4.88	2.500	3.25	.495	1.97	1.38	1.00	.75	2.411	2.125	225	
		1236-24-32										---	---	
2	2	1235-32-32	4.00	3.125	3.50	.495	2.60	1.75	.75	.62	2.411	2.500	228	
		1236-32-32										---	---	

① Order Separately ② 2500 PSI Max ③ 2000 PSI Max ④ 500 PSI Max