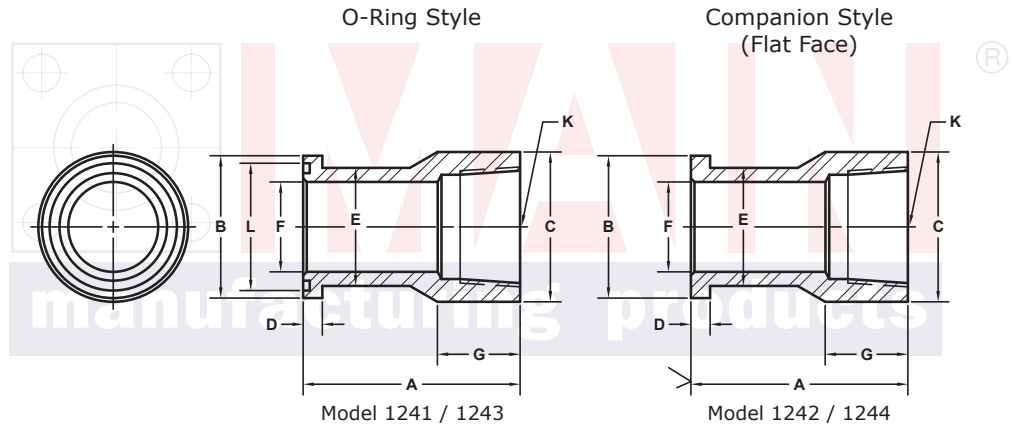


NPTF THREADED FLANGED HEADS

61 SERIES														
FLANGE SIZE	PIPE SIZE	PART NUMBER	A	B	C	D	E	F	G		K	L	O-RING NO. ^①	WT
1/2	1/2	1241-08-08	2.62	1.188	1.31	.265	.92	.50	1.00		1/2	1.000	210	
		1242-08-08										---	---	
3/4	3/4	1241-12-12	2.75	1.500	1.62	.265	1.23	.75	1.00		3/4	1.250	214	
		1242-12-12										---	---	
1	1	1241-16-16	3.00	1.750	1.88	.315	1.48	1.00	1.25		1	1.562	219	
		1242-16-16										---	---	
1	1 1/4	1241-16-20	3.50	1.750	2.12	.315	1.48	1.00	1.38		1 1/4	1.562	219	
		1242-16-20										---	---	
1 1/4	1 1/4	1241-20-20	3.50	2.000	2.12	.315	1.69	1.25	1.38		1 1/4	1.750	222	
		1242-20-20										---	---	
1 1/4	1 1/2	1241-20-24	3.25	2.000	2.50	.315	1.69	1.25	1.31		1 1/2	1.750	222	
		1242-20-24										---	---	
1 1/2	1 1/2	1241-24-24	3.62	2.375	2.50	.315	1.97	1.50	1.38		1 1/2	2.125	225	
		1242-24-24										---	---	
1 1/2	2	1241-24-32	3.62	2.375	3.00	.315	1.97	1.50	1.38		2	2.125	225	
		1242-24-32										---	---	
2	2	1241-32-32	3.62	2.812	3.00	.375	2.44	1.94	1.38		2	2.500	228	
		1242-32-32										---	---	
2 1/2 ^②	2 1/2	1241-40-40	4.38	3.312	3.62	.375	2.89	2.44	1.75		2 1/2	3.000	232	
		1242-40-40										---	---	

MATERIAL:
Low Carbon Steel ^⑤



3181 TRI-PARK DR. GRAND BLANC, MI 48439 800-521-7918 810-953-1380 FAX 810-953-1385 INFO@MAINMFG.COM

62 SERIES														
FLANGE SIZE	PIPE SIZE	PART NUMBER	A	B	C	D	E	F	G		K	L	O-RING NO. ^①	WT
1/2	1/2	1243-08-08	2.75	1.250	1.31	.305	.92	.50	1.06		1/2	1.000	210	
		1244-08-08										---	---	
3/4	3/4	1243-12-12	3.12	1.625	1.62	.345	1.23	.69	1.06		3/4	1.250	214	
		1244-12-12										---	---	
1	1	1243-16-16	3.62	1.875	2.00	.375	1.48	.88	1.25		1	1.562	219	
		1244-16-16										---	---	
1 1/4	1 1/4	1243-20-20	4.00	2.125	2.38	.405	1.69	1.19	1.31		1 1/4	1.750	222	
		1244-20-20										---	---	
1 1/4	1 1/2	1243-20-24	4.50	2.125	2.75	.405	1.69	1.19	1.38		1 1/2	1.750	222	
		1244-20-24										---	---	
1 1/2	1 1/2	1243-24-24	4.50	2.500	2.75	.495	1.97	1.38	1.38		1 1/2	2.125	225	
		1244-24-24										---	---	
1 1/2	2	1243-24-32	5.75	2.500	3.50	.495	1.97	1.38	1.38		2	2.125	225	
		1244-24-32										---	---	
2	2	1243-32-32	4.62	3.125	3.50	.495	2.60	1.75	1.38		2	2.500	228	
		1244-32-32										---	---	

① Order Separately

② 2500 PSI Max

⑤ May Contain Lead