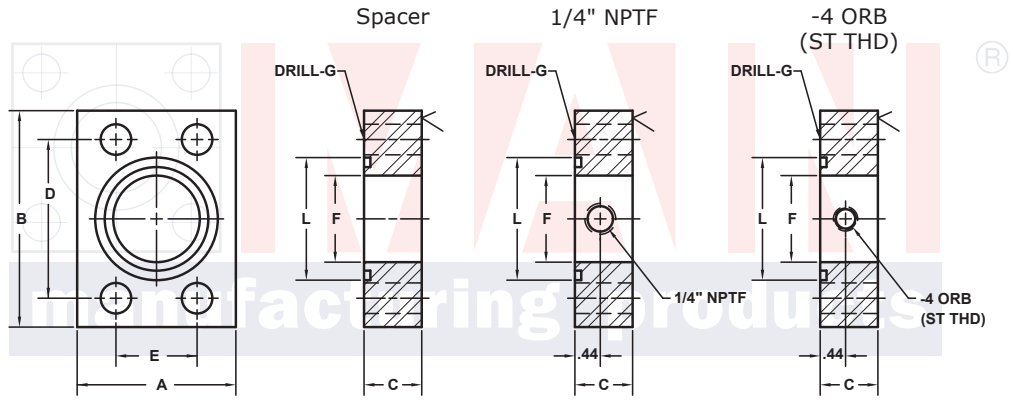


SPACERS AND GAUGE PORT ADAPTERS

1/4" GAUGE PORTS

SAE BOLT PATTERN			61 SERIES									
FLANGE SIZE	PIPE SIZE	PART NUMBER	A	B	C	D	E	F	G	L	O-RING ^①	WT
1/2	NA	1303-08-08	1.50	2.12	1.00	1.500	.688	.50	.34	1.000	210	.7
		2303-08-08										
		3303-08-08										
3/4	NA	1303-12-12	1.75	2.62	1.00	1.875	.875	.75	.41	1.250	214	1.0
		2303-12-12										
		3303-12-12										
1	NA	1303-16-16	2.00	2.82	1.00	2.062	1.031	1.00	.41	1.562	219	1.1
		2303-16-16										
		3303-16-16										
1 1/4	NA	1303-20-20	2.50	3.19	1.00	2.312	1.188	1.25	.47	1.750	222	1.6
		2303-20-20										
		3303-20-20										
1 1/2	NA	1303-24-24	2.75	3.75	1.00	2.750	1.406	1.50	.53	2.125	225	2.0
		2303-24-24										
		3303-24-24										
2	NA	1303-32-32	3.25	4.00	1.00	3.062	1.688	1.94	.53	2.500	228	2.4
		2303-32-32										
		3303-32-32										
2 1/2 ^②	NA	1303-40-40	4.00	4.50	1.00	3.500	2.000	2.44	.53	3.000	232	3.3
		2303-40-40										
		3303-40-40										
3 ^③	NA	1303-48-48	4.50	5.31	1.00	4.188	2.438	2.94	.66	3.625	237	4.1
		2303-48-48										
		3303-48-48										

MATERIAL:
Low Carbon Steel^⑤



3181 TRI-PARK DR. GRAND BLANC, MI 48439 800-521-7918 810-953-1380 FAX 810-953-1385 INFO@MAINMFG.COM

SAE BOLT PATTERN			62 SERIES									
FLANGE SIZE	PIPE SIZE	PART NUMBER	A	B	C	D	E	F	G	L	O-RING ^①	WT
1/2	NA	1305-08-08	1.75	2.22	1.00	1.594	.718	.50	.34	1.000	210	.8
		2305-08-08										
		3305-08-08										
3/4	NA	1305-12-12	2.00	2.81	1.00	2.000	.937	.75	.41	1.250	214	1.2
		2305-12-12										
		3305-12-12										
1	NA	1305-16-16	2.25	3.19	1.00	2.250	1.093	1.00	.47	1.562	219	1.5
		2305-16-16										
		3305-16-16										
1 1/4	NA	1305-20-20	2.75	3.75	1.00	2.625	1.250	1.25	.53	1.750	222	2.2
		2305-20-20										
		3305-20-20										
1 1/2	NA	1305-24-24	3.25	4.50	1.00	3.125	1.437	1.50	.66	2.125	225	3.1
		2305-24-24										
		3305-24-24										
2	NA	1305-32-32	4.00	5.25	1.00	3.812	1.750	1.94	.78	2.500	228	4.3
		2305-32-32										
		3305-32-32										

① Includes Buna-N O-Ring ② 2500 PSI Max ③ 2000 PSI Max

⑤ May Contain Lead