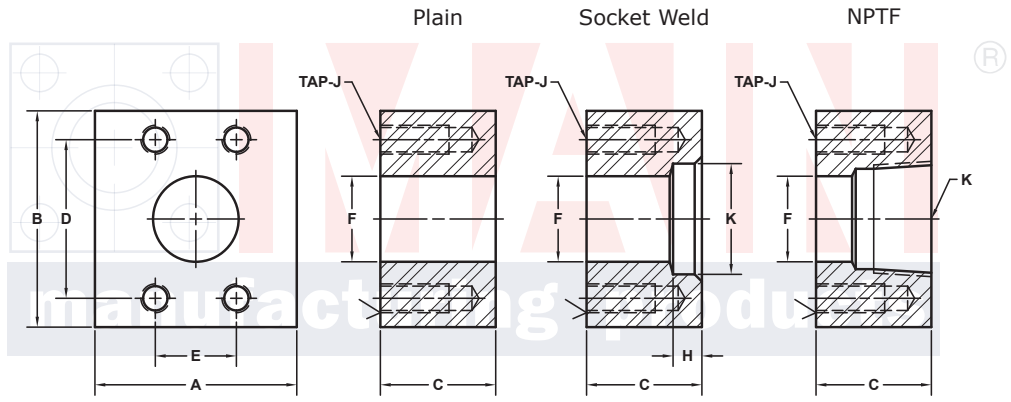
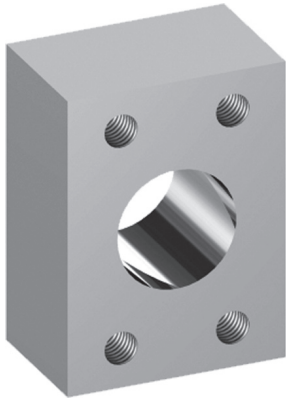


RESERVOIR ADAPTERS

SAE BOLT PATTERN				61 SERIES								
FLANGE SIZE	PIPE SIZE	PART NUMBER	A	B	C	D	E	F	J	H	K	WT
1/2	1/2	1209-08-08	1.50	2.12	1.50	1.500	.688	.50	5/16-18	NA	NA	1.2
		1563-08-08								.38	.860	1.2
		1565-08-08								NA	1/2" NPTF	1.2
3/4	3/4	1209-12-12	1.75	2.62	1.50	1.875	.875	.75	3/8-16	NA	NA	1.7
		1563-12-12								.50	1.070	1.6
		1565-12-12								NA	3/4" NPTF	1.6
1	1	1209-16-16	2.00	2.82	1.50	2.062	1.031	1.00	3/8-16	NA	NA	2.0
		1563-16-16								.50	1.335	1.9
		1565-16-16								NA	1" NPTF	1.9
1 1/4	1 1/4	1209-20-20	2.50	3.19	1.75	2.312	1.188	1.25	7/16-14	NA	NA	3.2
		1563-20-20								.50	1.680	3.0
		1565-20-20								NA	1 1/4" NPTF	3.0
1 1/2	1 1/2	1209-24-24	2.75	3.75	1.75	2.750	1.406	1.50	1/2-13	NA	NA	4.0
		1563-24-24								.50	1.920	3.8
		1565-24-24								NA	1 1/2" NPTF	3.8
2	2	1209-32-32	3.25	4.00	1.75	3.062	1.688	1.94	1/2-13	NA	NA	4.8
		1563-32-32								.62	2.411	4.4
		1565-32-32								NA	2" NPTF	4.4
2 1/2 ^②	2 1/2	1209-40-40	4.00	4.50	2.00	3.500	2.000	2.44	1/2-13	NA	NA	7.3
		1563-40-40								.75	2.911	6.8
		1565-40-40								NA	2 1/2" NPTF	7.0
3 ^③	3	1209-48-48	4.50	5.31	2.25	4.188	2.438	2.94	5/8-11	NA	NA	10.5
		1563-48-48								.75	3.540	9.8
		1565-48-48								NA	3" NPTF	9.7

MATERIAL:
Low Carbon Steel



Model 1209 / 1210 Model 1563 / 1564 Model 1565 / 1566

3181 TRI-PARK DR. GRAND BLANC, MI 48439 800-521-7918 810-953-1380 FAX 810-953-1385 INFO@MAINMFG.COM

SAE BOLT PATTERN				62 SERIES								
FLANGE SIZE	PIPE SIZE	PART NUMBER	A	B	C	D	E	F	J	H	K	WT
1/2	1/2	1210-08-08	1.75	2.22	1.50	1.594	.718	.50	5/16-18	NA	NA	1.5
		1564-08-08								.50	.860	1.4
		1566-08-08								NA	1/2" NPTF	1.5
3/4	3/4	1210-12-12	2.00	2.81	1.75	2.000	.937	.75	3/8-16	NA	NA	2.5
		1564-12-12								.50	1.070	2.4
		1566-12-12								NA	3/4" NPTF	2.4
1	1	1210-16-16	2.25	3.19	1.75	2.250	1.093	1.00	7/16-14	NA	NA	3.0
		1564-16-16								.50	1.335	2.9
		1566-16-16								NA	1" NPTF	2.9
1 1/4	1 1/4	1210-20-20	2.75	3.75	1.75	2.625	1.250	1.25	1/2-13	NA	NA	4.3
		1564-20-20								.50	1.680	4.1
		1566-20-20								NA	1 1/4" NPTF	4.1
1 1/2	1 1/2	1210-24-24	3.25	4.50	2.25	3.125	1.437	1.50	5/8-11	NA	NA	7.8
		1564-24-24								.50	1.920	7.6
		1566-24-24								NA	1 1/2" NPTF	7.5
2	2	1210-32-32	4.00	5.25	2.50	3.812	1.750	1.94	3/4-10	NA	NA	12.0
		1564-32-32								.62	2.411	11.7
		1566-32-32								NA	2" NPTF	11.7

② 2500 PSI Max ③ 2000 PSI Max