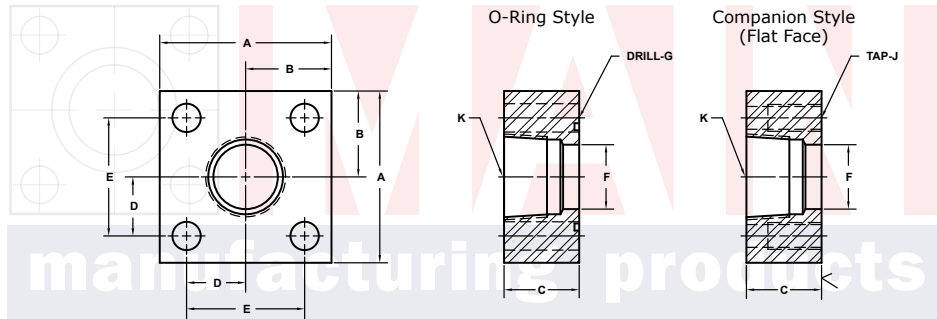
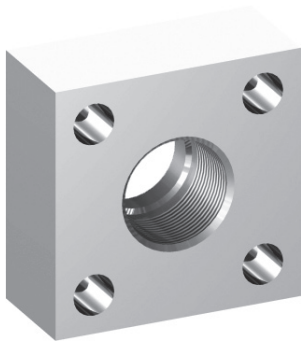


NPTF THREADED IN-LINE FLANGES

3000 SERIES SQUARE BOLT PATTERN

FLANGE SIZE	PIPE SIZE	PART NUMBER	A	B	C	D	E	F	G		K	MOUNTING KIT®			WT
									J			PART NO.	SCREW SIZE	O-RING	
3/4	3/4	1435-12-12	2.25	1.12	1.25	.719	1.438	.75	.41	3/4		MK 538	3/8-16 x 2	216	1.4
		3/8-16							-----			---			
1	1	1435-16-16	3.00	1.50	1.50	1.000	2.000	1.00	.53	1		MK 539	1/2-13 x 2 1/4	222	3.1
		1/2-13							-----			---			
1 1/4	1 1/4	1435-20-20	3.00	1.50	1.50	1.000	2.000	1.25	.53	1 1/4		MK 539	1/2-13 x 2 1/4	222	2.7
		1/2-13							-----			---			
1 1/2	1 1/4	1435-24-20	4.00	2.00	1.75	1.375	2.750	1.50	.66	1 1/4		MK 540	5/8-11 x 2 3/4	228	6.2
		5/8-11							-----			---			
1 1/2	1 1/2	1435-24-24	4.00	2.00	1.75	1.375	2.750	1.50	.66	1 1/2		MK 540	5/8-11 x 2 3/4	228	6.2
		5/8-11							-----			---			
2	2	1435-32-32	4.00	2.00	1.75	1.375	2.750	1.94	.66	2		MK 540	5/8-11 x 2 3/4	228	5.5
		5/8-11							-----			---			
2 1/2	2	1435-40-32	5.50	2.75	2.25	1.875	3.750	2.12	.94	2		MK 1517	7/8-9 x 3 1/2	236	14.8
		7/8-9							-----			---			
2 1/2	2 1/2	1435-40-40	5.50	2.75	2.25	1.875	3.750	2.44	.94	2 1/2		MK 1517	7/8-9 x 3 1/2	236	14.5
		7/8-9							-----			---			
3	3	1435-48-48	5.50	2.75	2.25	1.875	3.750	2.88	.94	3		MK 1517	7/8-9 x 3 1/2	236	12.8
		7/8-9							-----			---			
3 1/2	3 1/2	1435-56-56	6.00	3.00	2.50	2.125	4.250	3.38	.94	3 1/2		MK 4546	7/8-9 x 4	240	16.1
		7/8-9							-----			---			
4	4	1435-64-64	7.00	3.50	2.50	2.500	5.000	3.88	1.06	4		MK 3552	1-8 x 4	347	22.5
		1-8							-----			---			



MATERIAL: **Low Carbon Steel**® Model 1435 / 1437 Model 1436 / 1438

3181 TRI-PARK DR. GRAND BLANC, MI 48439 800-521-7918 810-953-1380 810-953-1385 FAX 810-953-1385 INFO@MAINMFG.COM

6000 SERIES SQUARE BOLT PATTERN

FLANGE SIZE	PIPE SIZE	PART NUMBER	A	B	C	D	E	F	G		K	MOUNTING KIT®			WT
									J			PART NO.	SCREW SIZE	O-RING	
1/2	1/2	1437-08-08	2.25	1.12	1.25	.719	1.438	.50	.41	1/2		MK 4541	3/8-16 x 2	210	1.6
		3/8-16							-----			---			
3/4	3/4	1437-12-12	2.50	1.25	1.25	.875	1.750	.61	.41	3/4		MK 520	3/8-16 x 2	214	2.0
		3/8-16							-----			---			
1	1	1437-16-16	3.00	1.50	1.50	1.000	2.000	.81	.53	1		MK 4542	1/2-13 x 2 1/2	219	3.2
		1/2-13							-----			---			
1 1/4	1 1/4	1437-20-20	4.00	2.00	1.50	1.375	2.750	1.16	.66	1 1/4		MK 4543	5/8-11 x 2 3/4	222	5.7
		5/8-11							-----			---			
1 1/2	1 1/2	1437-24-24	4.00	2.00	1.75	1.375	2.750	1.34	.66	1 1/2		MK 1595	5/8-11 x 3	225	6.5
		5/8-11							-----			---			
2	1 1/2	1437-32-24	5.00	2.50	1.75	1.750	3.500	1.74	.78	1 1/2		MK 2506	3/4-10 x 3 1/2	228	10.7
		3/4-10							-----			---			
2	2	1437-32-32	5.00	2.50	1.75	1.750	3.500	1.69	.78	2		MK 2506	3/4-10 x 3 1/2	228	10.0
		3/4-10							-----			---			
2 1/2	2 1/2	1437-40-40	5.50	2.75	2.25	1.875	3.750	2.12	.94	2 1/2		MK 5513	7/8-9 x 4	232	15.0
		7/8-9							-----			---			
3	3	1437-48-48	7.00	3.50	2.25	2.375	4.750	2.62	1.06	3		MK 5545	1-8 x 4 1/2	236	24.5
		1-8							-----			---			
3 1/2	3 1/2	1437-56-56	8.00	4.00	2.50	2.750	5.500	3.00	1.31	3 1/2		MK 2509	1 1/4-7 x 5	342	34.3
		1 1/4-7							-----			---			
4	4	1437-64-64	8.50	4.25	2.50	3.000	6.000	3.44	1.31	4		MK 2510	1 1/4-7 x 5	346	37.9
		1 1/4-7							-----			---			

① Order Separately

⑤ May Contain Lead