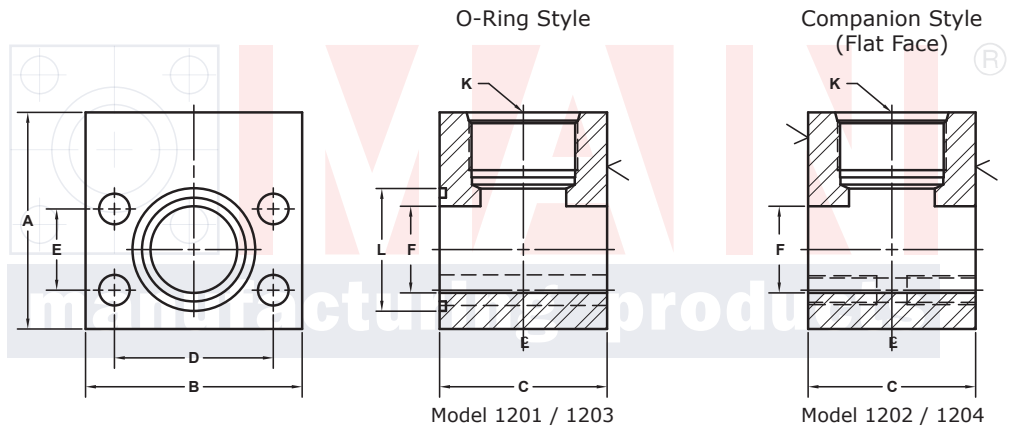
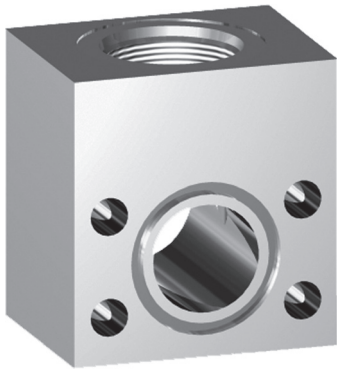


SAE J1926 THREADED RUN TEE FLANGES (Pg 1/2)

| SAE BOLT PATTERN | | | 61 SERIES | | | | | | | | | |
|------------------|-----|-------------|-----------|------|------|-------|-------|------|-----------|-------|---------------------|-----|
| FLANGE SIZE | ORB | PART NUMBER | A | B | C | D | E | F | K | L | O-RING ^① | WT |
| 1/2 | -4 | 1201-08-04 | 2.00 | 2.12 | 1.44 | 1.500 | .688 | .50 | 7/16-20 | 1.000 | 210 | 1.6 |
| | | 1202-08-04 | | | | | | | | --- | --- | |
| 1/2 | -6 | 1201-08-06 | 2.00 | 2.12 | 1.44 | 1.500 | .688 | .50 | 9/16-18 | 1.000 | 210 | 1.5 |
| | | 1202-08-06 | | | | | | | | --- | --- | |
| 1/2 | -8 | 1201-08-08 | 2.00 | 2.12 | 1.44 | 1.500 | .688 | .50 | 3/4-16 | 1.000 | 210 | 1.5 |
| | | 1202-08-08 | | | | | | | | --- | --- | |
| 3/4 | -8 | 1201-12-08 | 2.50 | 2.62 | 1.70 | 1.875 | .875 | .75 | 3/4-16 | 1.250 | 214 | 2.7 |
| | | 1202-12-08 | | | | | | | | --- | --- | |
| 3/4 | -10 | 1201-12-10 | 2.50 | 2.62 | 1.70 | 1.875 | .875 | .75 | 7/8-14 | 1.250 | 214 | 2.7 |
| | | 1202-12-10 | | | | | | | | --- | --- | |
| 3/4 | -12 | 1201-12-12 | 2.50 | 2.62 | 1.70 | 1.875 | .875 | .75 | 1 1/16-12 | 1.250 | 214 | 2.5 |
| | | 1202-12-12 | | | | | | | | --- | --- | |
| 3/4 | -16 | 1201-12-16 | 3.00 | 2.62 | 2.00 | 1.875 | .875 | .75 | 1 5/16-12 | 1.250 | 214 | 3.5 |
| | | 1202-12-16 | | | | | | | | --- | --- | |
| 1 | -12 | 1201-16-12 | 3.00 | 2.82 | 1.94 | 2.062 | 1.031 | 1.00 | 1 1/16-12 | 1.562 | 219 | 3.8 |
| | | 1202-16-12 | | | | | | | | --- | --- | |
| 1 | -14 | 1201-16-14 | 3.00 | 2.82 | 1.94 | 2.062 | 1.031 | 1.00 | 1 3/16-12 | 1.562 | 219 | 3.7 |
| | | 1202-16-14 | | | | | | | | --- | --- | |
| 1 | -16 | 1201-16-16 | 3.00 | 2.82 | 1.94 | 2.062 | 1.031 | 1.00 | 1 5/16-12 | 1.562 | 219 | 3.5 |
| | | 1202-16-16 | | | | | | | | --- | --- | |
| 1 | -20 | 1201-16-20 | 3.50 | 2.82 | 2.50 | 2.062 | 1.031 | 1.00 | 1 5/8-12 | 1.562 | 219 | 5.2 |
| | | 1202-16-20 | | | | | | | | --- | --- | |

MATERIAL:
Low Carbon Steel^⑤



3181 TRI-PARK DR. GRAND BLANC, MI 48439 800-521-7918 810-953-1380 FAX 810-953-1385 INFO@MAINMFG.COM

| SAE BOLT PATTERN | | | 62 SERIES | | | | | | | | | |
|------------------|-----|-------------|-----------|------|------|-------|-------|------|-----------|-------|---------------------|-----|
| FLANGE SIZE | ORB | PART NUMBER | A | B | C | D | E | F | K | L | O-RING ^① | WT |
| 1/2 | -6 | 1203-08-06 | 2.00 | 2.22 | 1.46 | 1.594 | .718 | .50 | 9/16-18 | 1.000 | 210 | 1.7 |
| | | 1204-08-06 | | | | | | | | --- | --- | |
| 1/2 | -8 | 1203-08-08 | 2.00 | 2.22 | 1.46 | 1.594 | .718 | .50 | 3/4-16 | 1.000 | 210 | 1.6 |
| | | 1204-08-08 | | | | | | | | --- | --- | |
| 3/4 | -8 | 1203-12-08 | 2.50 | 2.81 | 1.70 | 2.000 | .937 | .75 | 3/4-16 | 1.250 | 214 | 3.0 |
| | | 1204-12-08 | | | | | | | | --- | --- | |
| 3/4 | -10 | 1203-12-10 | 2.50 | 2.81 | 1.70 | 2.000 | .937 | .75 | 7/8-14 | 1.250 | 214 | 3.0 |
| | | 1204-12-10 | | | | | | | | --- | --- | |
| 3/4 | -12 | 1203-12-12 | 2.50 | 2.81 | 1.70 | 2.000 | .937 | .75 | 1 1/16-12 | 1.250 | 214 | 2.7 |
| | | 1204-12-12 | | | | | | | | --- | --- | |
| 1 | -12 | 1203-16-12 | 3.00 | 3.19 | 1.96 | 2.250 | 1.093 | 1.00 | 1 1/16-12 | 1.562 | 219 | 4.6 |
| | | 1204-16-12 | | | | | | | | --- | --- | |
| 1 | -14 | 1203-16-14 | 3.00 | 3.19 | 1.96 | 2.250 | 1.093 | 1.00 | 1 3/16-12 | 1.562 | 219 | 4.5 |
| | | 1204-16-14 | | | | | | | | --- | --- | |
| 1 | -16 | 1203-16-16 | 3.00 | 3.19 | 1.96 | 2.250 | 1.093 | 1.00 | 1 5/16-12 | 1.562 | 219 | 4.5 |
| | | 1204-16-16 | | | | | | | | --- | --- | |

① Includes Buna-N O-Ring

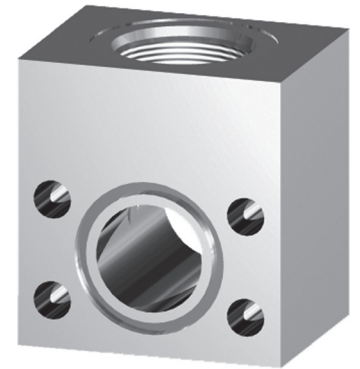
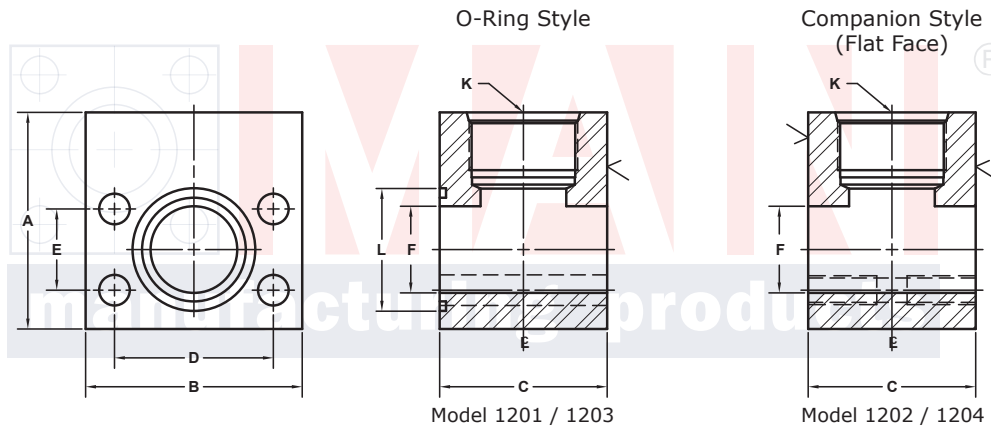
⑤ May Contain Lead

NOTE: The Pressure Rating of the Assembly Should NOT Exceed the Lower of the Flange Pad or the Fitting. Check the Fitting Manufacturer for Details.

SAE J1926 THREADED RUN TEE FLANGES (Pg 2/2)

| SAE BOLT PATTERN | | | 61 SERIES | | | | | | | | | |
|------------------|------------|-------------|-----------|------|------|-------|-------|------|-----------|-------|---------------------|------|
| FLANGE SIZE | ORB | PART NUMBER | A | B | C | D | E | F | K | L | O-RING ^① | WT |
| 1 1/4 | -16 | 1201-20-16 | 3.50 | 3.19 | 2.40 | 2.312 | 1.188 | 1.25 | 1 5/16-12 | 1.750 | 222 | 5.9 |
| | | 1202-20-16 | | | | | | | | --- | --- | |
| 1 1/4 | -20 | 1201-20-20 | 3.50 | 3.19 | 2.40 | 2.312 | 1.188 | 1.25 | 1 5/8-12 | 1.750 | 222 | 5.5 |
| | | 1202-20-20 | | | | | | | | --- | --- | |
| 1 1/4 | -24 | 1201-20-24 | 4.00 | 3.19 | 3.00 | 2.312 | 1.188 | 1.25 | 1 7/8-12 | 1.750 | 222 | 7.9 |
| | | 1202-20-24 | | | | | | | | --- | --- | |
| 1 1/2 | -16 | 1201-24-16 | 4.00 | 3.75 | 2.90 | 2.750 | 1.406 | 1.50 | 1 5/16-12 | 2.125 | 225 | 9.7 |
| | | 1202-24-16 | | | | | | | | --- | --- | |
| 1 1/2 | -20 | 1201-24-20 | 4.00 | 3.75 | 2.90 | 2.750 | 1.406 | 1.50 | 1 5/8-12 | 2.125 | 225 | 9.3 |
| | | 1202-24-20 | | | | | | | | --- | --- | |
| 1 1/2 | -24 | 1201-24-24 | 4.00 | 3.75 | 2.90 | 2.750 | 1.406 | 1.50 | 1 7/8-12 | 2.125 | 225 | 9.0 |
| | | 1202-24-24 | | | | | | | | --- | --- | |
| 1 1/2 | -32 | 1201-24-32 | 4.00 | 3.75 | 4.00 | 2.750 | 1.406 | 1.50 | 2 1/2-12 | 2.125 | 225 | 12.0 |
| | | 1202-24-32 | | | | | | | | --- | --- | |
| 2 | -16 | 1201-32-16 | 4.50 | 4.00 | 3.00 | 3.062 | 1.688 | 1.94 | 1 5/16-12 | 2.500 | 228 | 11.5 |
| | | 1202-32-16 | | | | | | | | --- | --- | |
| 2 | -20 | 1201-32-20 | 4.50 | 4.00 | 3.00 | 3.062 | 1.688 | 1.94 | 1 5/8-12 | 2.500 | 228 | 11.3 |
| | | 1202-32-20 | | | | | | | | --- | --- | |
| 2 | -24 | 1201-32-24 | 4.50 | 4.00 | 3.00 | 3.062 | 1.688 | 1.94 | 1 7/8-12 | 2.500 | 228 | 11.0 |
| | | 1202-32-24 | | | | | | | | --- | --- | |
| 2 | -32 | 1201-32-32 | 4.25 | 4.00 | 3.94 | 3.062 | 1.688 | 1.94 | 2 1/2-12 | 2.500 | 228 | 12.8 |
| | | 1202-32-32 | | | | | | | | --- | --- | |

MATERIAL:
Low Carbon Steel[®]



3181 TRI-PARK DR. GRAND BLANC, MI 48439 800-521-7918 810-953-1380 FAX 810-953-1385 INFO@MAINMFG.COM

| SAE BOLT PATTERN | | | 62 SERIES | | | | | | | | | |
|------------------|------------|-------------|-----------|------|------|-------|-------|------|-----------|-------|---------------------|------|
| FLANGE SIZE | ORB | PART NUMBER | A | B | C | D | E | F | K | L | O-RING ^① | WT |
| 1 1/4 | -16 | 1203-20-16 | 4.00 | 3.75 | 2.40 | 2.625 | 1.250 | 1.25 | 1 5/16-12 | 1.750 | 222 | 8.4 |
| | | 1204-20-16 | | | | | | | | --- | --- | |
| 1 1/4 | -20 | 1203-20-20 | 4.00 | 3.75 | 2.40 | 2.625 | 1.250 | 1.25 | 1 5/8-12 | 1.750 | 222 | 8.0 |
| | | 1204-20-20 | | | | | | | | --- | --- | |
| 1 1/2 | -16 | 1203-24-16 | 4.00 | 4.50 | 2.96 | 3.125 | 1.437 | 1.50 | 1 5/16-12 | 2.125 | 225 | 12.1 |
| | | 1204-24-16 | | | | | | | | --- | --- | |
| 1 1/2 | -20 | 1203-24-20 | 4.00 | 4.50 | 2.96 | 3.125 | 1.437 | 1.50 | 1 5/8-12 | 2.125 | 225 | 11.9 |
| | | 1204-24-20 | | | | | | | | --- | --- | |
| 1 1/2 | -24 | 1203-24-24 | 4.00 | 4.50 | 2.96 | 3.125 | 1.437 | 1.50 | 1 7/8-12 | 2.125 | 225 | 11.6 |
| | | 1204-24-24 | | | | | | | | --- | --- | |
| 2 | -20 | 1203-32-20 | 5.00 | 5.25 | 3.46 | 3.812 | 1.750 | 1.94 | 1 5/8-12 | 2.500 | 228 | 20.2 |
| | | 1204-32-20 | | | | | | | | --- | --- | |
| 2 | -24 | 1203-32-24 | 5.00 | 5.25 | 3.46 | 3.812 | 1.750 | 1.94 | 1 7/8-12 | 2.500 | 228 | 19.6 |
| | | 1204-32-24 | | | | | | | | --- | --- | |
| 2 | -32 | 1203-32-32 | 5.00 | 5.25 | 3.94 | 3.812 | 1.750 | 1.94 | 2 1/2-12 | 2.500 | 228 | 21.6 |
| | | 1204-32-32 | | | | | | | | --- | --- | |

① Includes Buna-N O-Ring

⑤ May Contain Lead

NOTE: The Pressure Rating of the Assembly Should NOT Exceed the Lower of the Flange Pad or the Fitting. Check the Fitting Manufacturer for Details.