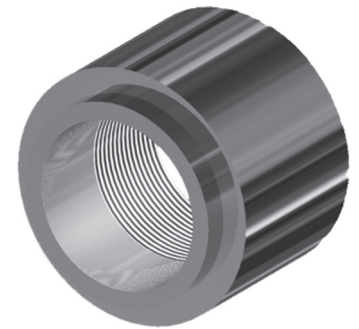
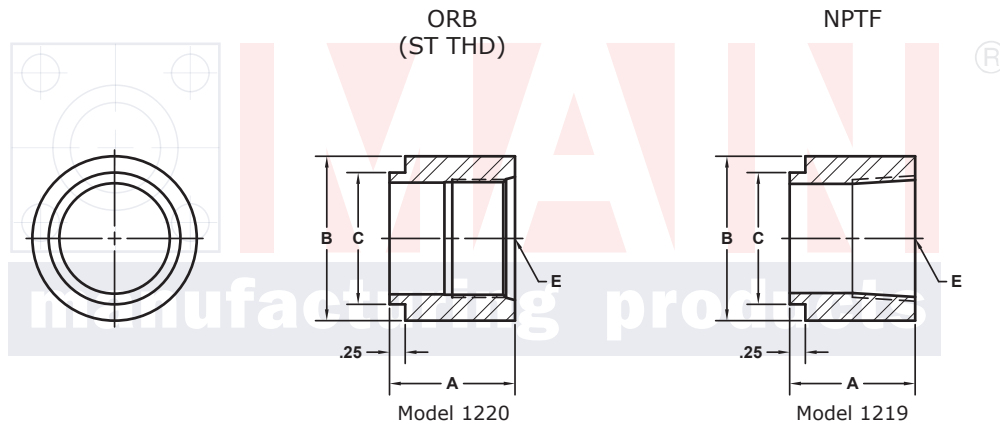


# TANK PORT ADAPTERS

## SAE J1926 (ORB) TANK PORT

ORB	PART NUMBER	A	B	C	E	WT
<b>-4</b>	1220-04-04	1.25	1.00	.73	7/16 - 20	.2
<b>-6</b>	1220-06-06	1.38	1.12	.73	9/16 - 18	.3
<b>-8</b>	1220-08-08	1.50	1.25	.86	3/4 - 16	.3
<b>-10</b>	1220-10-10	1.75	1.50	.98	7/8 - 14	.6
<b>-12</b>	1220-12-12	2.00	1.75	1.23	1 1/16 - 12	.9
<b>-14</b>	1220-14-14	2.00	1.88	1.36	1 3/16 - 12	.9
<b>-16</b>	1220-16-16	2.00	2.00	1.48	1 5/16 - 12	1.0
<b>-20</b>	1220-20-20	2.00	2.38	1.86	1 5/8 - 12	1.3
<b>-24</b>	1220-24-24	2.00	2.62	2.10	1 7/8 - 12	1.5
<b>-32</b>	1220-32-32	2.00	3.50	2.98	2 1/2 - 12	2.6

MATERIAL:  
**Low Carbon Steel**



3181 TRI-PARK DR. GRAND BLANC, MI 48439 800-521-7918 810-953-1380 FAX 810-953-1385 INFO@MAINMFG.COM

## NPTF TANK PORT

SIZE	PART NUMBER	A	B	C	E NPTF	WT
<b>1/4</b>	1219-04-04	1.25	1.00	.73	1/4	.2
<b>3/8</b>	1219-06-06	1.38	1.12	.73	3/8	.3
<b>1/2</b>	1219-08-08	1.50	1.25	.86	1/2	.3
<b>3/4</b>	1219-12-12	2.00	1.75	1.23	3/4	.8
<b>1</b>	1219-16-16	2.00	2.00	1.48	1	1.1
<b>1 1/4</b>	1219-20-20	2.00	2.38	1.86	1 1/4	1.3
<b>1 1/2</b>	1219-24-24	2.00	2.62	2.10	1 1/2	1.6
<b>2</b>	1219-32-32	2.00	3.50	2.98	2	3.0

**NOTE:** The Pressure Rating of the Assembly Should NOT Exceed the Fitting. Check the Fitting Manufacturer for Details.