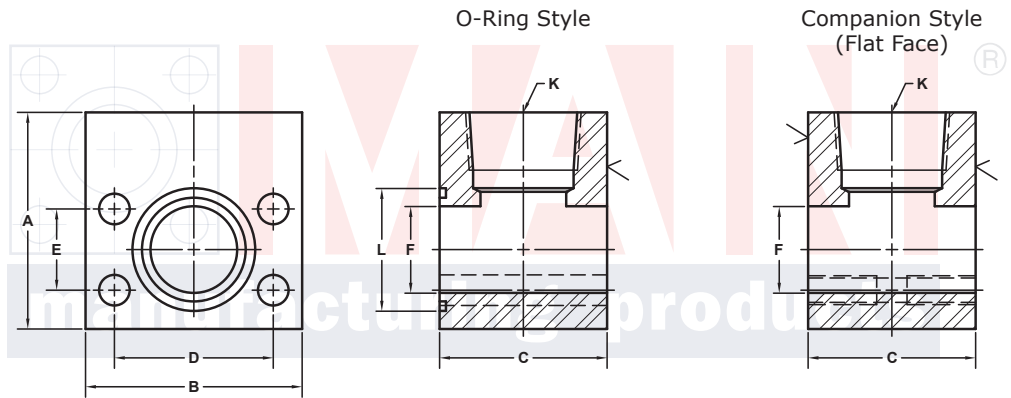
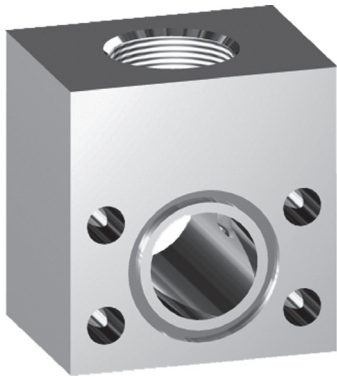


NPTF THREADED RUN TEE FLANGES (Pg 1/2)

SAE BOLT PATTERN			61 SERIES									
FLANGE SIZE	PIPE SIZE	PART NUMBER	A	B	C	D	E	F	K	L	O-RING ^①	WT
1/2	1/2	1197-08-08	2.00	2.12	1.44	1.500	.688	.50	1/2	1.000	210	1.5
		1198-08-08								---	---	
3/4	1/2	1197-12-08	2.50	2.62	1.70	1.875	.875	.75	1/2	1.250	214	2.6
		1198-12-08								---	---	
3/4	3/4	1197-12-12	2.50	2.62	1.70	1.875	.875	.75	3/4	1.250	214	2.5
		1198-12-12								---	---	
1	3/4	1197-16-12	3.00	2.82	1.94	2.062	1.031	1.00	3/4	1.562	219	3.7
		1198-16-12								---	---	
1	1	1197-16-16	3.00	2.82	1.94	2.062	1.031	1.00	1	1.562	219	3.5
		1198-16-16								---	---	
1 1/4	1	1197-20-16	3.50	3.19	2.40	2.312	1.188	1.25	1	1.750	222	5.8
		1198-20-16								---	---	
1 1/4	1 1/4	1197-20-20	3.50	3.19	2.40	2.312	1.188	1.25	1 1/4	1.750	222	5.5
		1198-20-20								---	---	
1 1/4	1 1/2	1197-20-24	4.00	3.19	3.00	2.312	1.188	1.25	1 1/2	1.750	222	8.0
		1198-20-24								---	---	
1 1/2	1 1/4	1197-24-20	4.00	3.75	2.90	2.750	1.406	1.50	1 1/4	2.125	225	9.2
		1198-24-20								---	---	
1 1/2	1 1/2	1197-24-24	4.00	3.75	2.90	2.750	1.406	1.50	1 1/2	2.125	225	9.0
		1198-24-24								---	---	
1 1/2	2	1197-24-32	4.00	3.75	2.90	2.750	1.406	1.50	2	2.125	225	8.4
		1198-24-32								---	---	

MATERIAL:
Low Carbon Steel^⑤



Model 1197 / 1199

Model 1198 / 1200

3181 TRI-PARK DR. GRAND BLANC, MI 48439 800-521-7918 810-953-1380 FAX 810-953-1385 INFO@MAINMFG.COM

SAE BOLT PATTERN			62 SERIES									
FLANGE SIZE	PIPE SIZE	PART NUMBER	A	B	C	D	E	F	K	L	O-RING ^①	WT
1/2	1/2	1199-08-08	2.00	2.22	1.46	1.594	.718	.50	1/2	1.000	210	1.5
		1200-08-08								---	---	
3/4	1/2	1199-12-08	2.50	2.81	1.70	2.000	.937	.75	1/2	1.250	214	2.8
		1200-12-08								---	---	
3/4	3/4	1199-12-12	2.50	2.81	1.70	2.000	.937	.75	3/4	1.250	214	2.7
		1200-12-12								---	---	
1	3/4	1199-16-12	3.00	3.19	1.96	2.250	1.093	1.00	3/4	1.562	219	4.4
		1200-16-12								---	---	
1	1	1199-16-16	3.00	3.19	1.96	2.250	1.093	1.00	1	1.562	219	4.1
		1200-16-16								---	---	
1 1/4	1	1199-20-16	4.00	3.75	2.44	2.625	1.250	1.25	1	1.750	222	8.4
		1200-20-16								---	---	
1 1/4	1 1/4	1199-20-20	4.00	3.75	2.44	2.625	1.250	1.25	1 1/4	1.750	222	8.0
		1200-20-20								---	---	
1 1/4	1 1/2	1199-20-24	4.00	3.75	3.00	2.625	1.250	1.25	1 1/2	1.750	222	9.8
		1200-20-24								---	---	

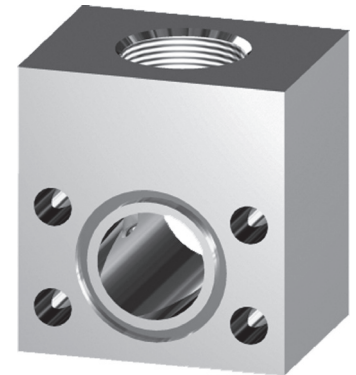
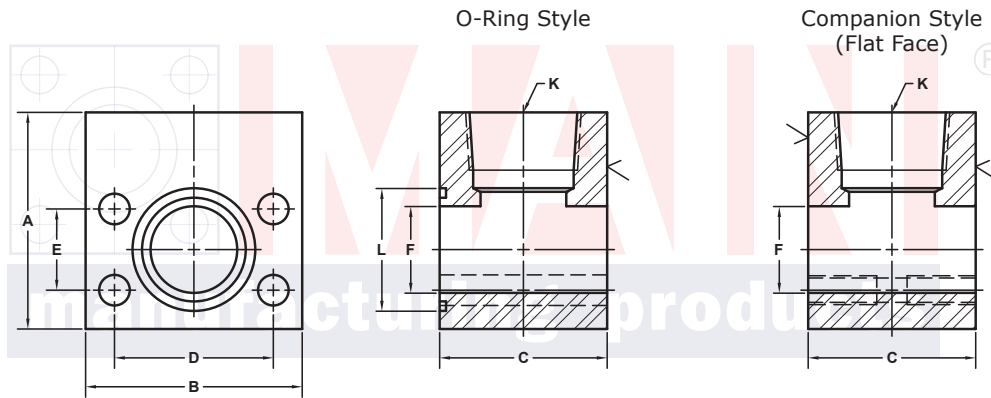
① Includes Buna-N O-Ring

⑤ May Contain Lead

NPTF THREADED RUN TEE FLANGES (Pg 2/2)

SAE BOLT PATTERN			61 SERIES									
FLANGE SIZE	PIPE SIZE	PART NUMBER	A	B	C	D	E	F	K	L	O-RING ^①	WT
2	1 1/4	1197-32-20	4.50	4.00	2.96	3.062	1.688	1.94	1 1/4	2.500	228	11.0
		1198-32-20								---	---	
2	1 1/2	1197-32-24	4.50	4.00	2.96	3.062	1.688	1.94	1 1/2	2.500	228	10.7
		1198-32-24								---	---	
2	2	1197-32-32	4.50	4.00	2.96	3.062	1.688	1.94	2	2.500	228	10.0
		1198-32-32								---	---	
2 1/2 ^②	1 1/2	1197-40-24	5.00	4.50	3.96	3.500	2.000	2.44	1 1/2	3.000	232	18.0
		1198-40-24								---	---	
2 1/2 ^②	2	1197-40-32	5.00	4.50	3.96	3.500	2.000	2.44	2	3.000	232	17.2
		1198-40-32								---	---	
2 1/2 ^②	2 1/2	1197-40-40	5.00	4.50	3.96	3.500	2.000	2.44	2 1/2	3.000	232	16.3
		1198-40-40								---	---	
3 ^③	2	1197-48-32	6.00	5.31	4.46	4.188	2.438	2.94	2	3.625	237	27.7
		1198-48-32								---	---	
3 ^③	2 1/2	1197-48-40	6.00	5.31	4.46	4.188	2.438	2.94	2 1/2	3.625	237	26.5
		1198-48-40								---	---	
3 ^③	3	1197-48-48	6.00	5.31	4.46	4.188	2.438	2.94	3	3.625	237	24.6
		1198-48-48								---	---	
3 1/2 ^④	3	1197-56-48	6.00	6.00	5.00	4.750	2.750	3.44	3	4.109	241	31.5
		1198-56-48								---	---	
3 1/2 ^④	3 1/2	1197-56-56	6.25	6.00	5.40	4.750	2.750	3.44	3 1/2	4.109	241	34.3
		1198-56-56								---	---	

MATERIAL:
Low Carbon Steel®



Model 1197 / 1199

Model 1198 / 1200

3181 TRI-PARK DR. GRAND BLANC, MI 48439 800-521-7918 810-953-1380 FAX 810-953-1385 INFO@MAINMFG.COM

SAE BOLT PATTERN			62 SERIES									
FLANGE SIZE	PIPE SIZE	PART NUMBER	A	B	C	D	E	F	K	L	O-RING ^①	WT
1 1/2	1 1/4	1199-24-20	4.00	4.50	2.96	3.125	1.437	1.50	1 1/4	2.125	225	11.8
		1200-24-20								---	---	
1 1/2	1 1/2	1199-24-24	4.00	4.50	2.96	3.125	1.437	1.50	1 1/2	2.125	225	11.5
		1200-24-24								---	---	
1 1/2	2	1199-24-32	4.50	4.50	3.50	3.125	1.437	1.50	2	2.125	225	15.2
		1200-24-32								---	---	
2	1 1/2	1199-32-24	5.00	5.25	3.46	3.812	1.750	1.94	1 1/2	2.500	228	19.8
		1200-32-24								---	---	
2	2	1199-32-32	5.00	5.25	3.46	3.812	1.750	1.94	2	2.500	228	19.0
		1200-32-32								---	---	
2 1/2	2	1199-40-32	6.00	6.88	4.00	4.875	2.312	2.44	2	3.000	232	36.2
		1200-40-32								---	---	
2 1/2	2 1/2	1199-40-40	6.00	6.88	4.00	4.875	2.312	2.44	2 1/2	3.000	232	35.0
		1200-40-40								---	---	
3	3	1199-48-48	7.00	8.50	5.00	6.000	2.812	2.94	3	3.625	237	62.5
		1200-48-48								---	---	

① Includes Buna-N O-Ring ② 2500 PSI Max ③ 2000 PSI Max ④ 500 PSI Max

⑤ May Contain Lead